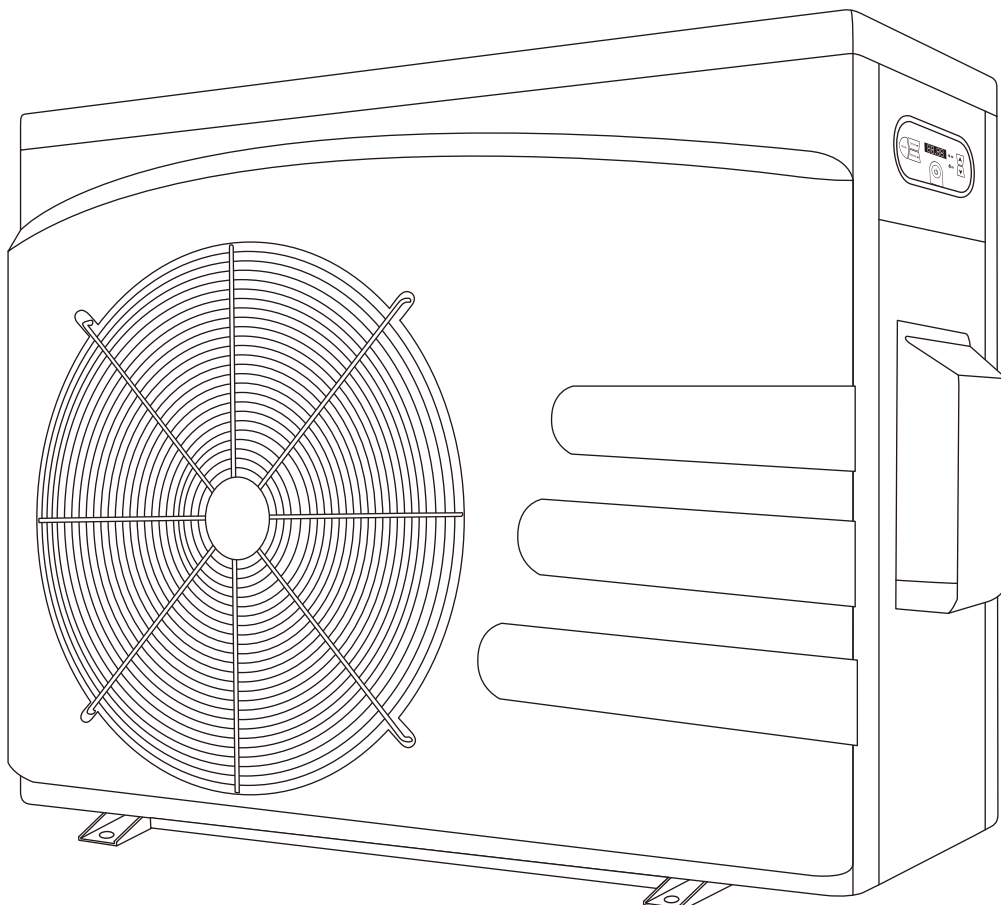




Spare Parts Catalog of Poolstyle inverter (Heating Only)



(GHD-150-0293~GHD-150-0299)

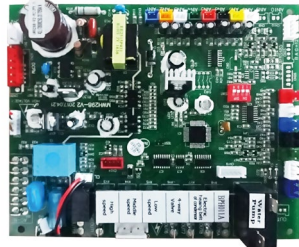
CONTENTS

Spare Parts Picture	03-04
GHD-150-0293	05-06
GHD-150-0294	07-08
GHD-150-0295	09-10
GHD-150-0296	11-12
GHD-150-0297	13-14
GHD-150-0298	15-16
GHD-150-0299	17-18



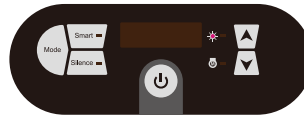
①

Inverter board



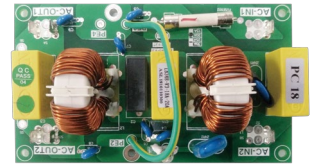
②

PC Board



③

LED controller



④

Power filter plate



⑤

Reactor



⑥

Electronic expansion valve



⑦

4-way valve



⑧

Water flow switch



⑨

Fan motor



⑩

Fan motor capacitor



⑪

Full set of sensors



⑫

Compressor



⑬

Titanium heat exchanger(Heat)



⑭

Evaporator



⑮

High pressure protection switch



⑯

low pressure protection switch



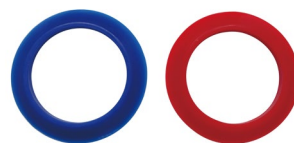
⑰

Low pressure valve



⑱

Water union



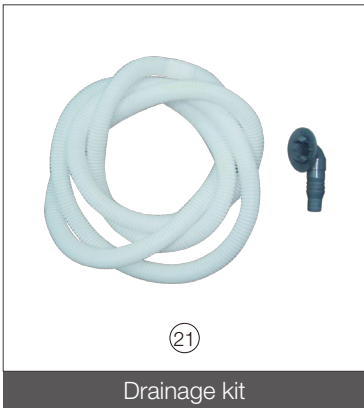
⑲

Water union gasket



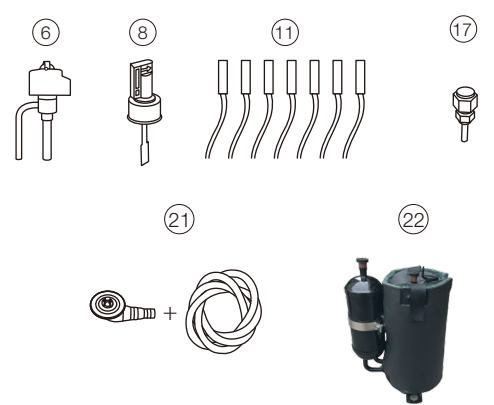
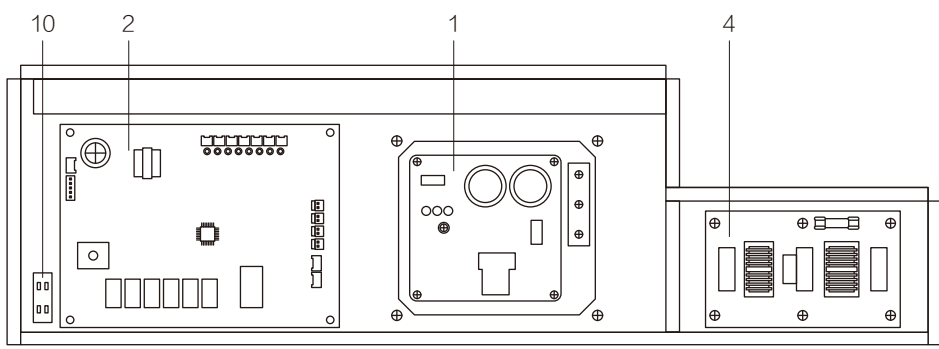
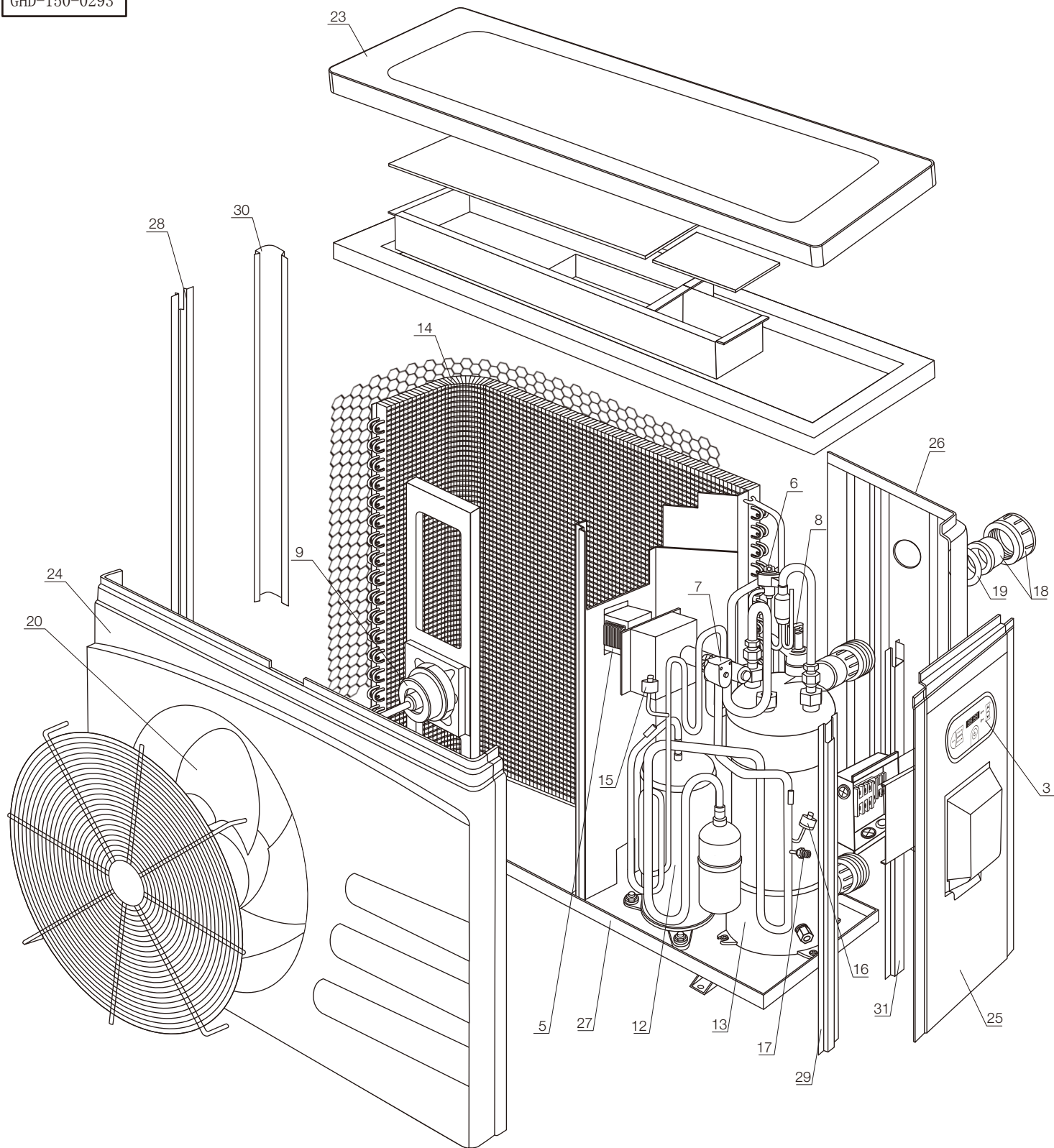
⑳

Fan

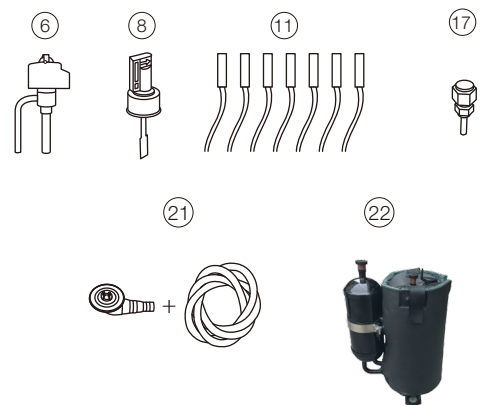
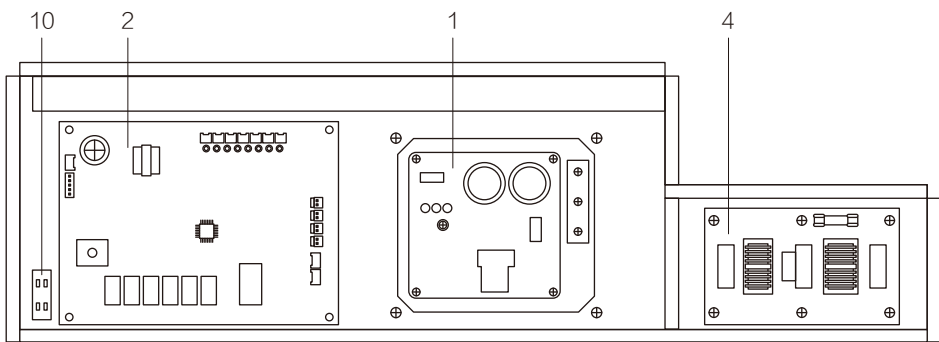
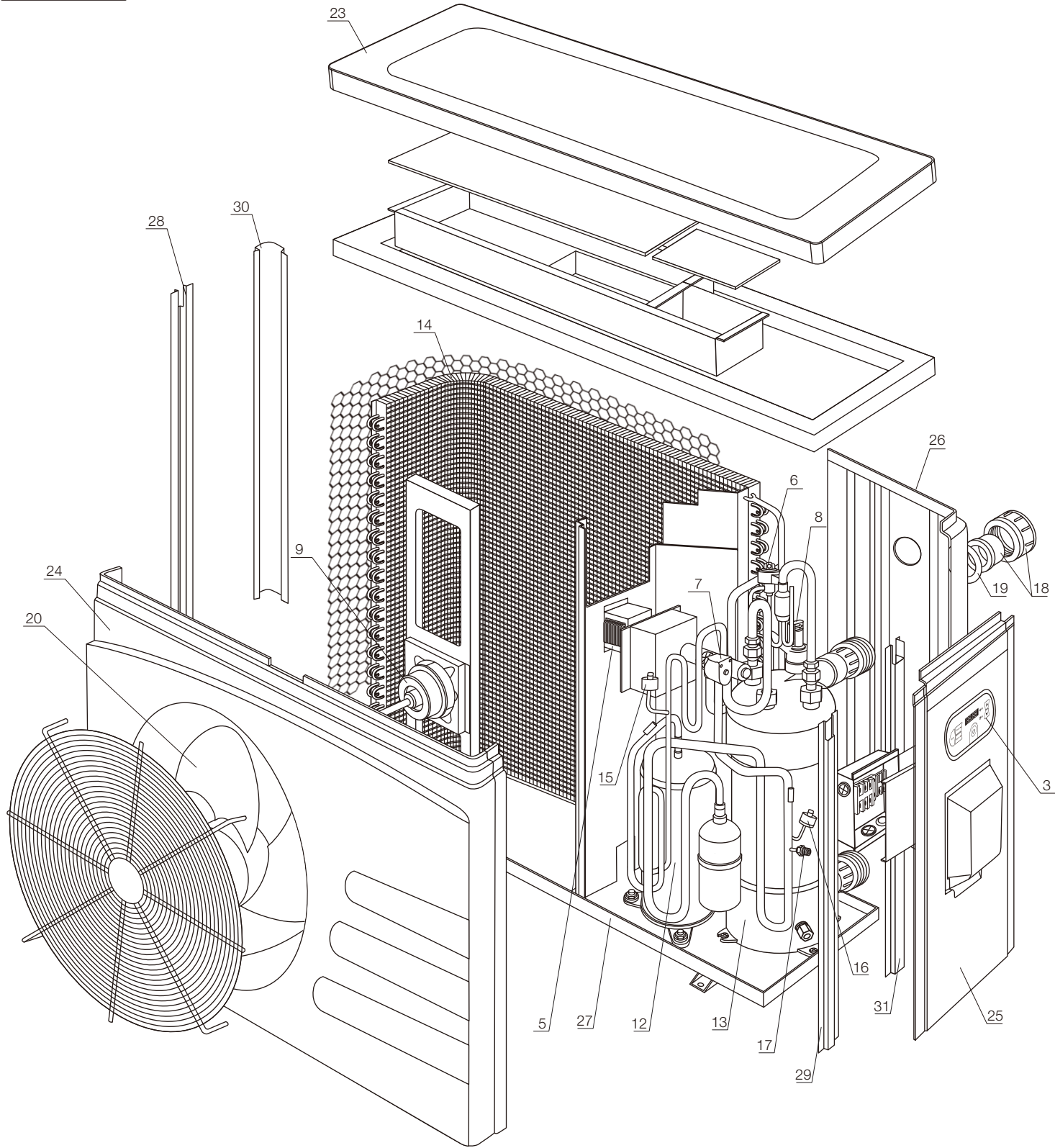


21

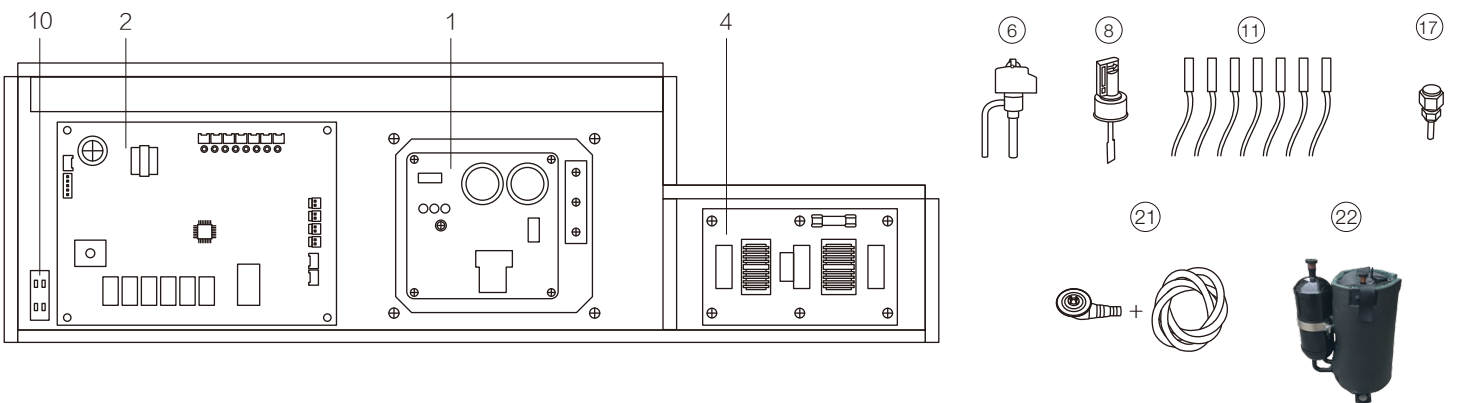
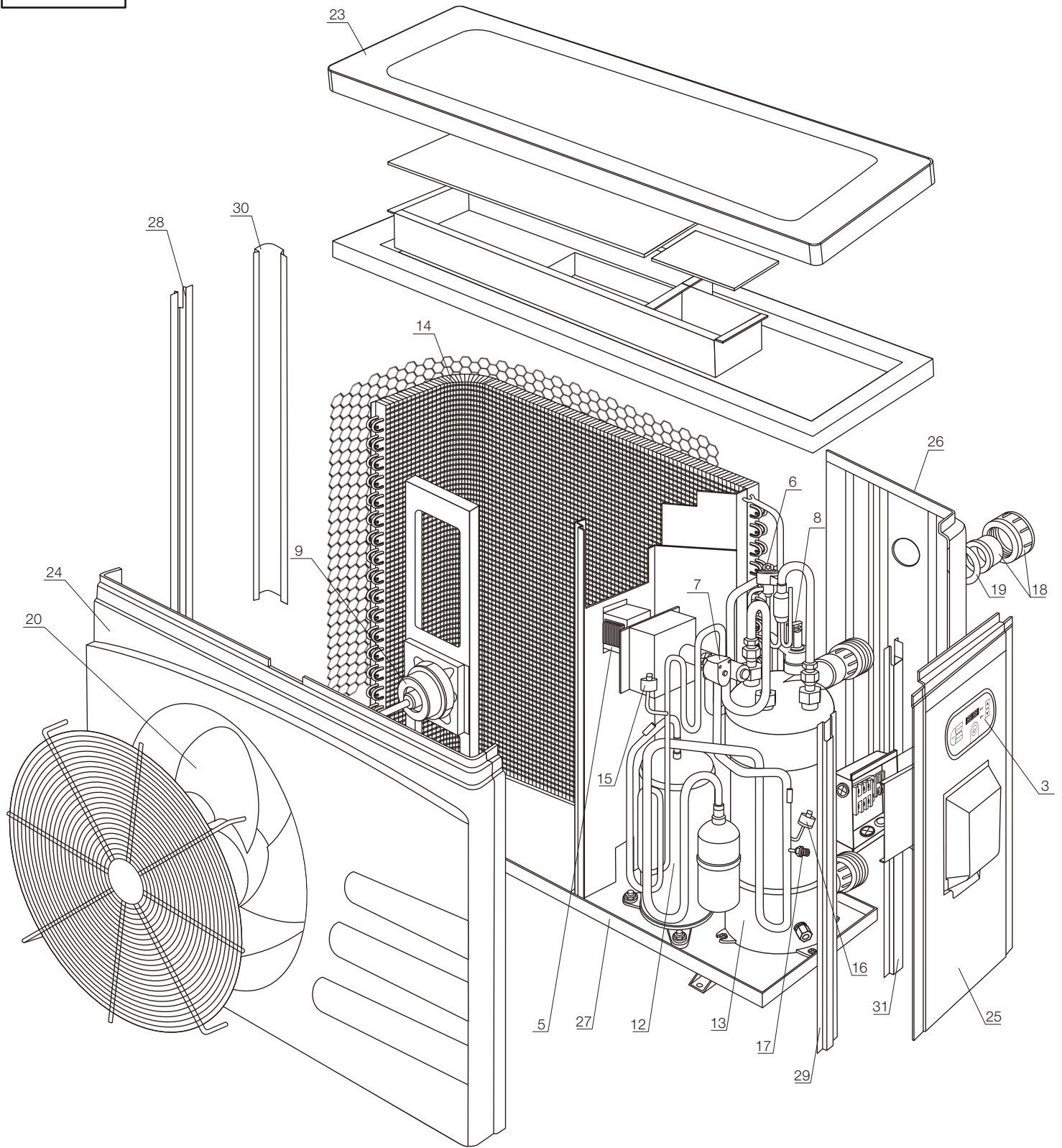
Drainage kit



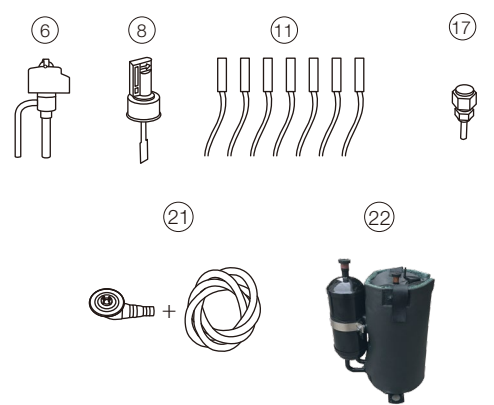
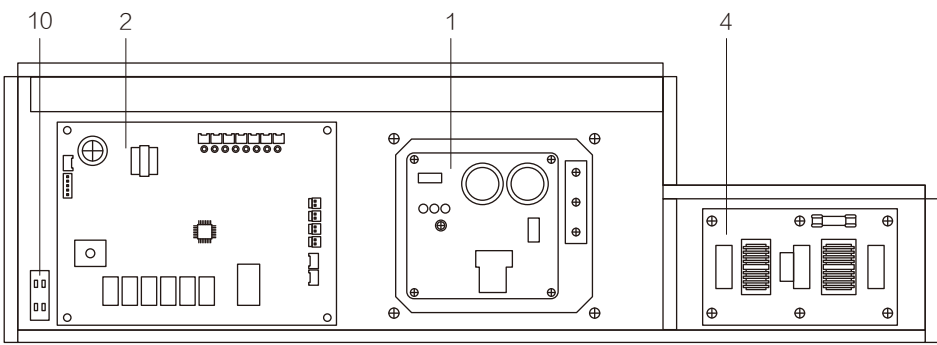
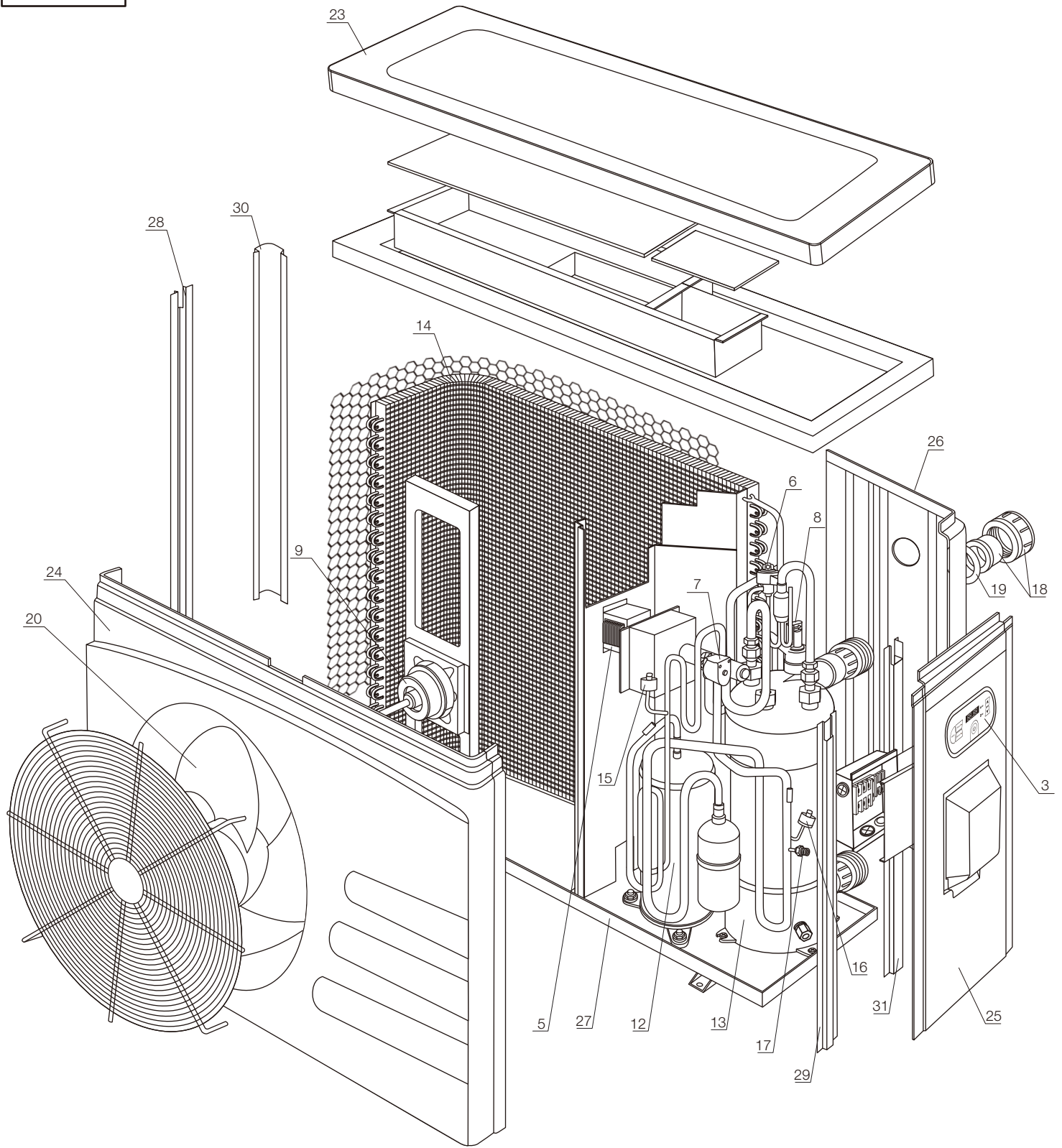
Position	Spare parts	Code
1	Inverter board	033091400000
2	PC board(Heat)	033090310100H38
3	LED controller(Heat)	034090300000
4	Power filter plate	033092350000
5	Reactor	041301090000
6	Electronic expansion valve	006121000001
7	4-way valve	006110080001
8	Water flow switch	040060600000
9	Fan motor	032020450000
10	Fan motor capacitor	041010020001
11	Full set of sensors	Z35043000300
12	Compressor	031084020000
13	Titanium heat exchanger(Heat)	001031160002
14	Evaporator	Z01011390000
15	High pressure protection switch	040050630000
16	Low pressure protection switch	040050130000
17	Low Pressure valve	006080500000
18	Water union 50(Black)	003990020000
19	Water union gasket 90	004980050002
20	Fan	007010020000
21	Drainage kit	Z03991700000
22	Compressor insulation cap	004041650000
23	Top cover (White)	003020800201
24	Front Panel (White)	003020820101
25	Right Panel (White)	003020800401
26	Back Panel (White)	003020800901
27	Bottom board (Black)	002021500100
28	Front left pole (Black)	002021510400
29	Front right pole (Black)	002021510500
30	Back left pole (Black)	002020101200
31	Back right pole (Black)	002020101300



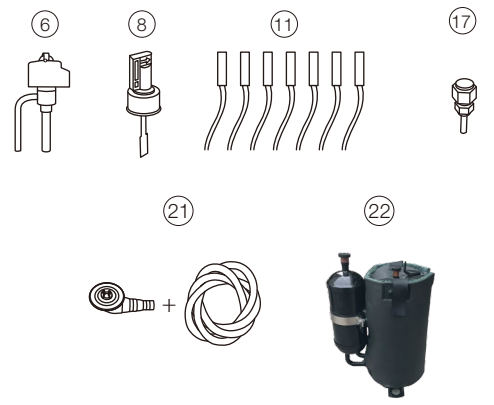
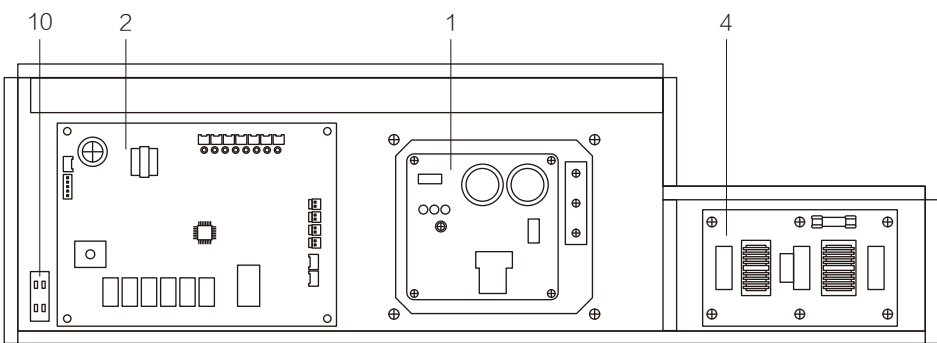
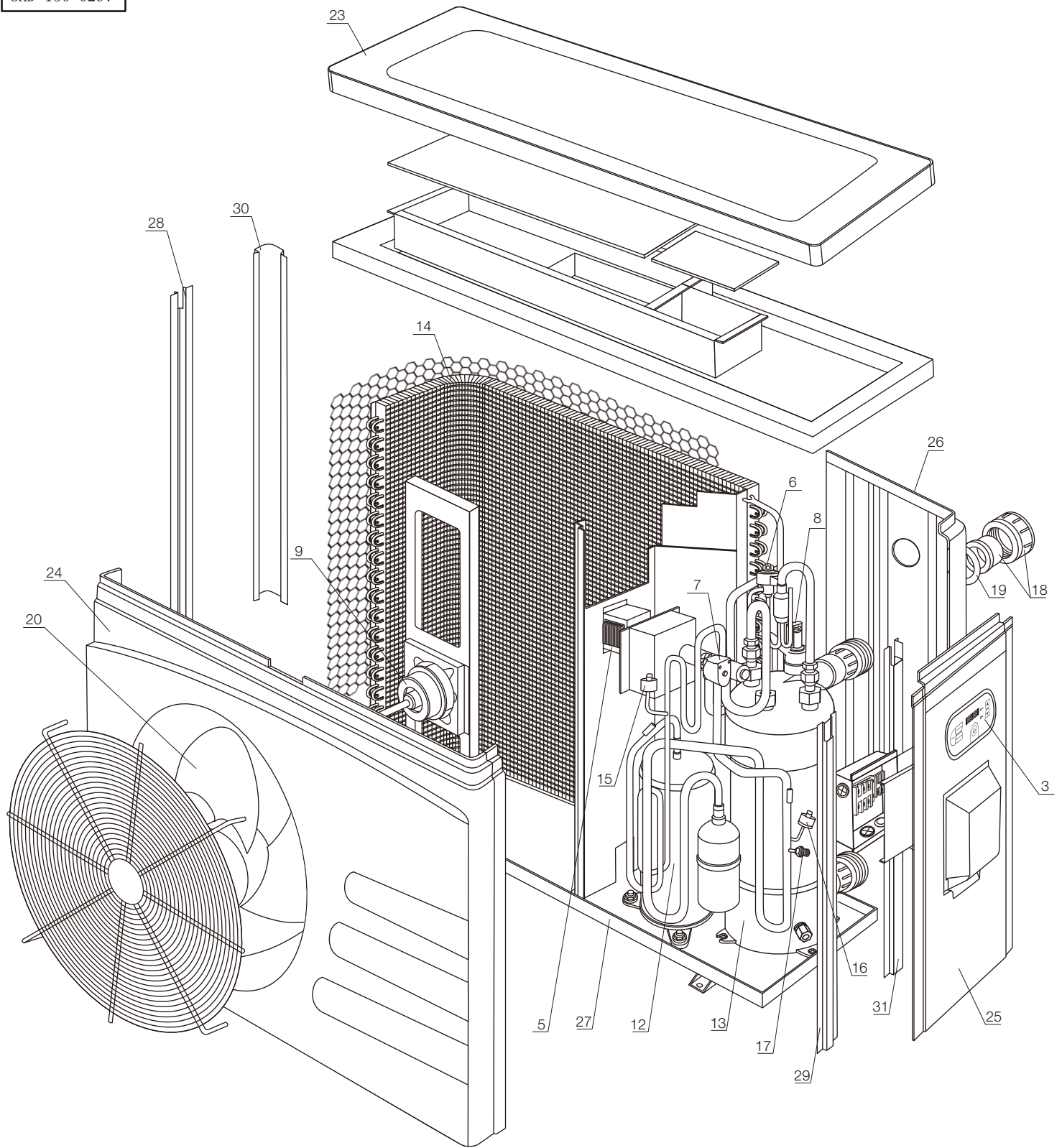
Position	Spare parts	Code
1	Inverter board	033091400000
2	PC board(Heat)	033090310100H56
3	LED controller(Heat)	034090300000
4	Power filter plate	033092350000
5	Reactor	041301090000
6	Electronic expansion valve	006121000001
7	4-way valve	006110080001
8	Water flow switch	040060600000
9	Fan motor	032020450000
10	Fan motor capacitor	041010020001
11	Full set of sensors	Z35043000300
12	Compressor	031084020000
13	Titanium heat exchanger(Heat)	001031080002
14	Evaporator	Z01011230000
15	High pressure protection switch	040050630000
16	Low pressure protection switch	040050130000
17	Low Pressure valve	006080500000
18	Water union 50(Black)	003990020000
19	Water union gasket 90	004980050002
20	Fan	007010020000
21	Drainage kit	Z03991700000
22	Compressor insulation cap	004041650000
23	Top cover (White)	003020800201
24	Front Panel (White)	003020820101
25	Right Panel (White)	003020800401
26	Back Panel (White)	003020800901
27	Bottom board (Black)	002021510100
28	Front left pole (Black)	002021510400
29	Front right pole (Black)	002021510500
30	Back left pole (Black)	002020101200
31	Back right pole (Black)	002020101300



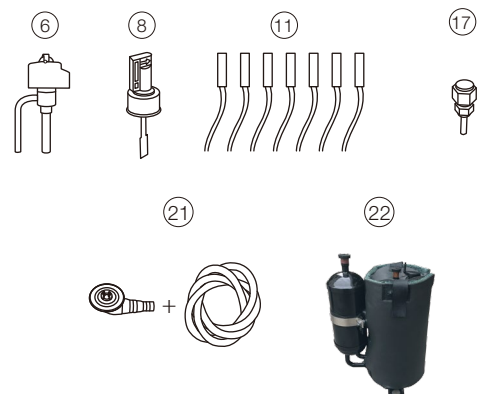
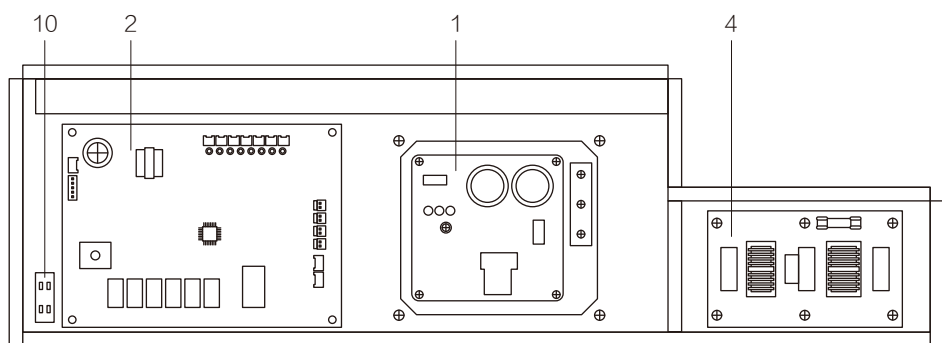
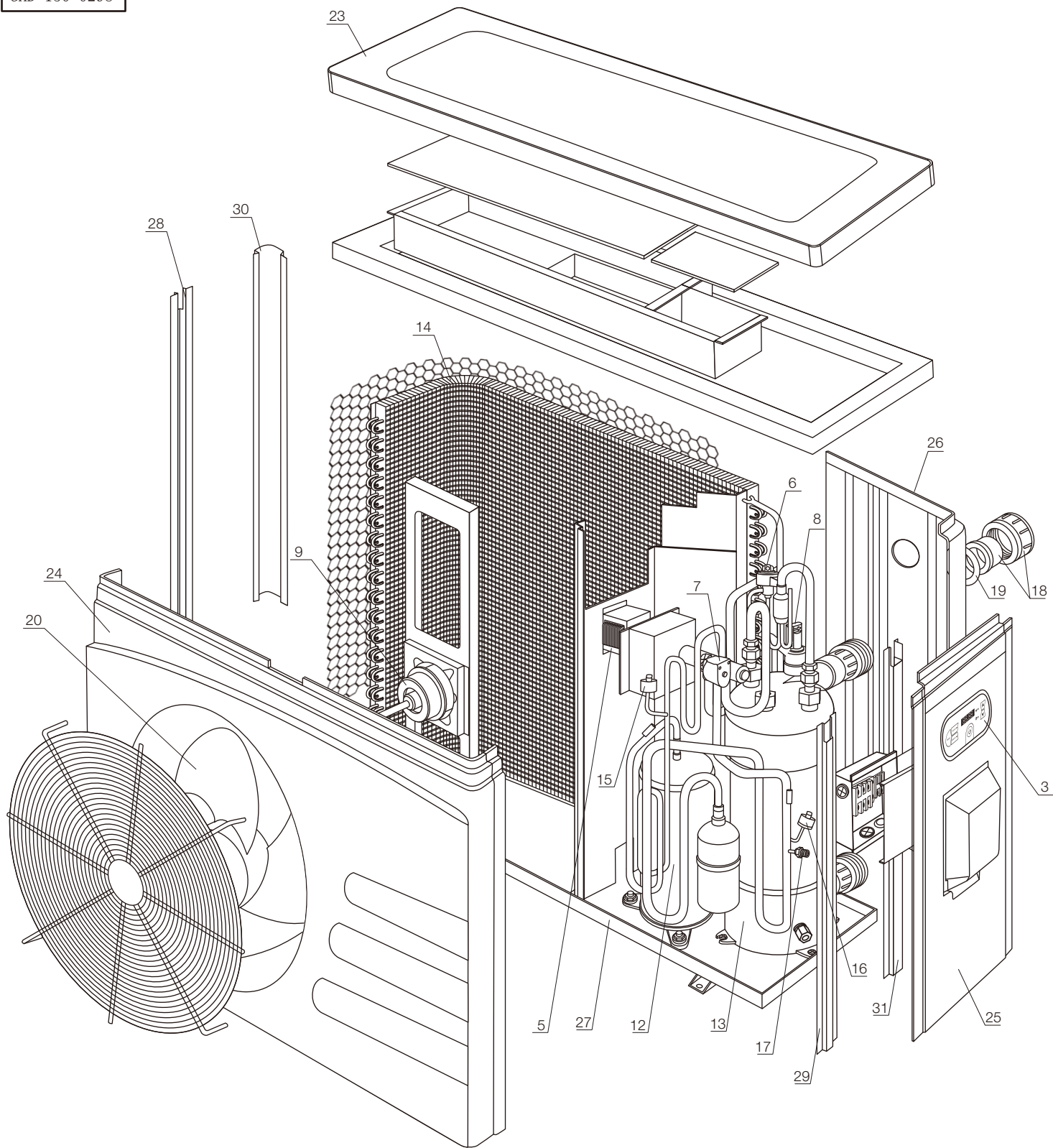
Position	Spare parts	Code
1	Inverter board	033091400000
2	PC board(Heat)	033090310100H70
3	LED controller(Heat)	034090300000
4	Power filter plate	33092360000
5	Reactor	041301090000
6	Electronic expansion valve	006121000001
7	4-way valve	006110080001
8	Water flow switch	040060600000
9	Fan motor	032020450000
10	Fan motor capacitor	041010020001
11	Full set of sensors	Z35043000300
12	Compressor	031084020000
13	Titanium heat exchanger(Heat)	001031090002
14	Evaporator	Z01011310000
15	High pressure protection switch	040050630000
16	Low pressure protection switch	040050130000
17	Low Pressure valve	006080500000
18	Water union 50(Black)	003990020000
19	Water union gasket 90	004980050002
20	Fan	007010020000
21	Drainage kit	Z03991700000
22	Compressor insulation cap	004041650000
23	Top cover (White)	003020800201
24	Front Panel (White)	003020820101
25	Right Panel (White)	003020800401
26	Back Panel (White)	003020801101
27	Bottom board (Black)	002021510100
28	Front left pole (Black)	002021520200
29	Front right pole (Black)	002021510500
30	Back left pole (Black)	002020101200
31	Back right pole (Black)	002020101300



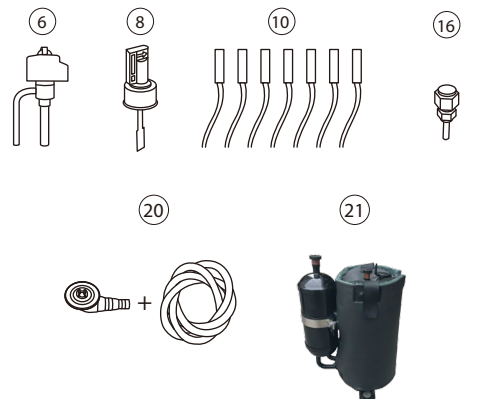
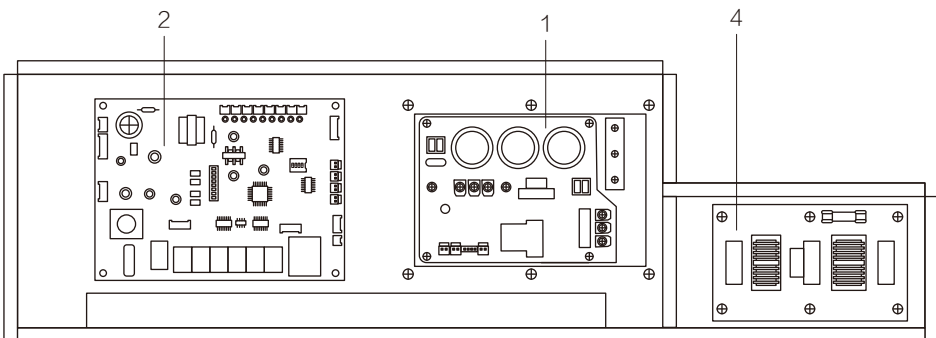
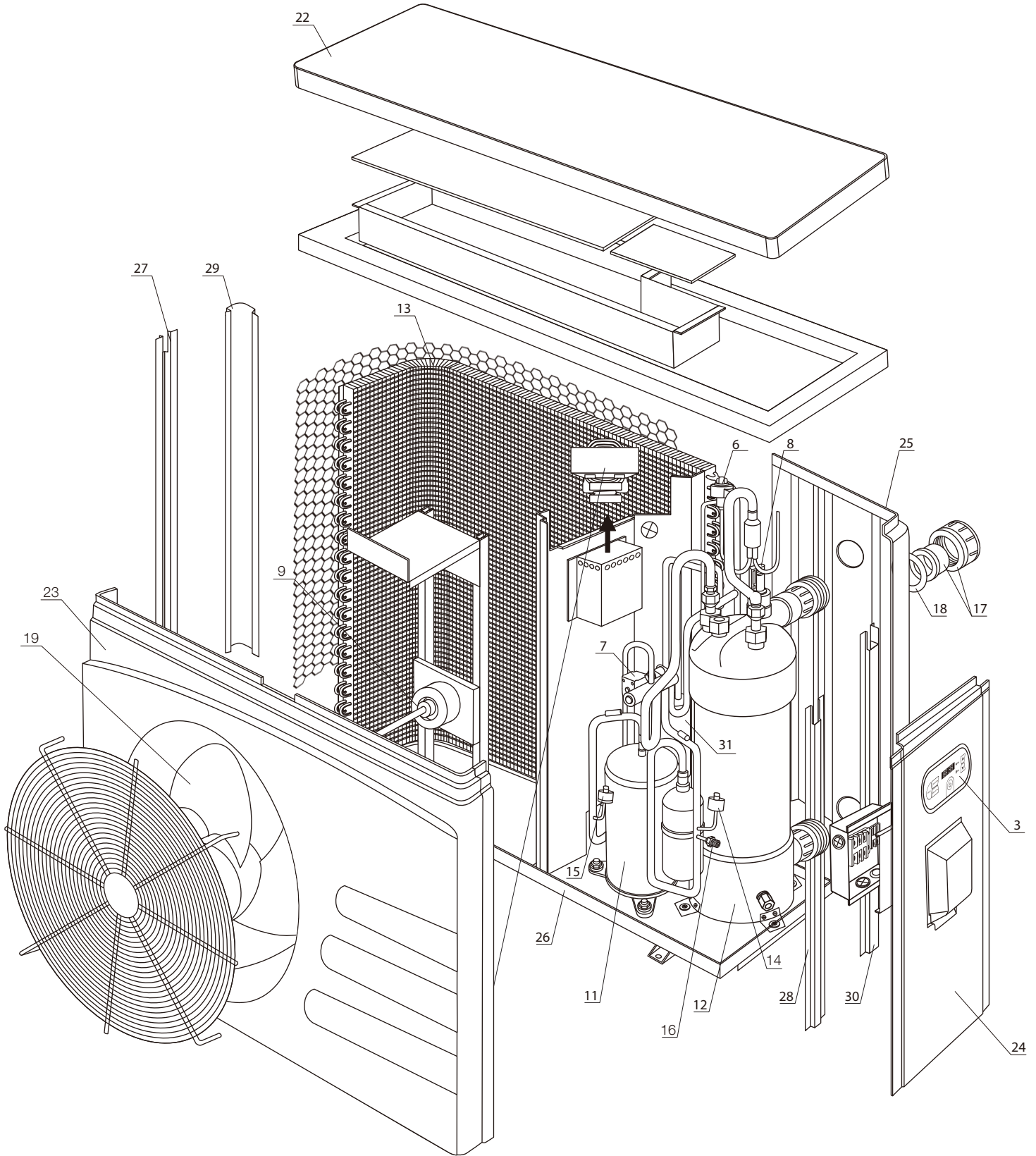
Position	Spare parts	Code
1	Inverter board	033091400000
2	PC board(Heat)	033090310100H88
3	LED controller(Heat)	034090300000
4	Power filter plate	033092330000
5	Reactor	041301080000
6	Electronic expansion valve	006121000001
7	4-way valve	006110080001
8	Water flow switch	040060600000
9	Fan motor	032020550000
10	Fan motor capacitor	041010030001
11	Full set of sensors	Z35043000300
12	Compressor	031084000000
13	Titanium heat exchanger(Heat)	001031180002
14	Evaporator	Z01011490000
15	High pressure protection switch	040050630000
16	Low pressure protection switch	040050130000
17	Low Pressure valve	006080500000
18	Water union 50(Black)	003990020000
19	Water union gasket 90	004980050002
20	Fan	007010140000
21	Drainage kit	Z03991700000
22	Compressor insulation cap	004041660000
23	Top cover (White)	003020800201
24	Front Panel (White)	003020820101
25	Right Panel (White)	003020800401
26	Back Panel (White)	003020801201
27	Bottom board (Black)	002021510100
28	Front left pole (Black)	002021510400
29	Front right pole (Black)	002021510500
30	Back left pole (Black)	002020101200
31	Back right pole (Black)	002020101300



Position	Spare parts	Code
1	Inverter board	033091400000
2	PC board(Heat)	033090310100H11
3	LED controller(Heat)	034090300000
4	Power filter plate	033092330000
5	Reactor	041301100000
6	Electronic expansion valve	006121000001
7	4-way valve	006110210001
8	Water flow switch	040060600000
9	Fan motor	032020900000
10	Fan motor capacitor	041010030001
11	Full set of sensors	Z35043000300
12	Compressor	031084010000
13	Titanium heat exchanger(Heat)	001031110002
14	Evaporator	Z01011260000
15	High pressure protection switch	040050630000
16	Low pressure protection switch	040050130000
17	Low Pressure valve	006080500000
18	Water union 50(Black)	003990020000
19	Water union gasket 90	004980050002
20	Fan	007010030000
21	Drainage kit	Z03991700000
22	Compressor insulation cap	004041680000
23	Top cover (White)	003021000301
24	Front Panel (White)	003021020101
25	Right Panel (White)	003020800401
26	Back Panel (White)	003021000401
27	Bottom board (Black)	002021530100
28	Front left pole (Black)	002021510400
29	Front right pole (Black)	002021510500
30	Back left pole (Black)	002020101200
31	Back right pole (Black)	002020101300



Position	Spare parts	Code
1	Inverter board	033091420000
2	PC board(Heat)	033090310100H13
3	LED controller(Heat)	034090300000
4	Power filter plate	033092340000
5	Reactor	041301100000
6	Electronic expansion valve	006121010001
7	4-way valve	006110210001
8	Water flow switch	040060600000
9	Fan motor	032020900000
10	Fan motor capacitor	041010030001
11	Full set of sensors	Z35043000300
12	Compressor	031084010000
13	Titanium heat exchanger(Heat)	001031130003
14	Evaporator	Z01011280000
15	High pressure protection switch	040050630000
16	Low pressure protection switch	040050130000
17	Low Pressure valve	006080500000
18	Water union 50(Black)	003990020000
19	Water union gasket 90	004980050002
20	Fan	007010030000
21	Drainage kit	Z03991700000
22	Compressor insulation cap	004041680000
23	Top cover (White)	003021000301
24	Front Panel (White)	003021220101
25	Right Panel (White)	003021200401
26	Back Panel (White)	003021200501
27	Bottom board (Black)	002021530100
28	Front left pole (Black)	002021540100
29	Front right pole (Black)	002021540200
30	Back left pole (Black)	002020411200
31	Back right pole (Black)	002021540300



Position	Spare parts	Code
1	Inverter board	033091420000
2	PC board(Heat)	033090310100H68
3	LED controller(Heat)	034090300000
4	Power filter plate	033092370000
5	Reactor	041301110000
6	Electronic expansion valve	006121100001
7	4-way valve	006110160001
8	Water flow switch	040060600000
9	Fan motor	032051530000R
10	Full set of sensors	Z35043000200
11	Compressor	031064040000
12	Titanium heat exchanger(Heat)	001031250002
13	Evaporator	Z01011190000
14	High pressure protection switch	040050630000
15	Low pressure protection switch	040050130000
16	Low Pressure valve	006080500000
17	Water union 50(Black)	003990020000
18	Water union gasket 90	004980050002
19	Fan	007010080000
20	Drainage kit	Z03991700000
21	Compressor insulation cap	004041690000
22	Top cover (White)	
23	Front Panel (White)	
24	Right Panel (White)	
25	Back Panel (White)	
26	Bottom board (Black)	002020554000
27	Front left pole (Black)	002020551100
28	Front right pole (Black)	002020430900
29	Back left pole (Black)	002020431000
30	Back right pole (Black)	002020431100
31	Liquid reservoir	006090040000