

Boost-Rite™

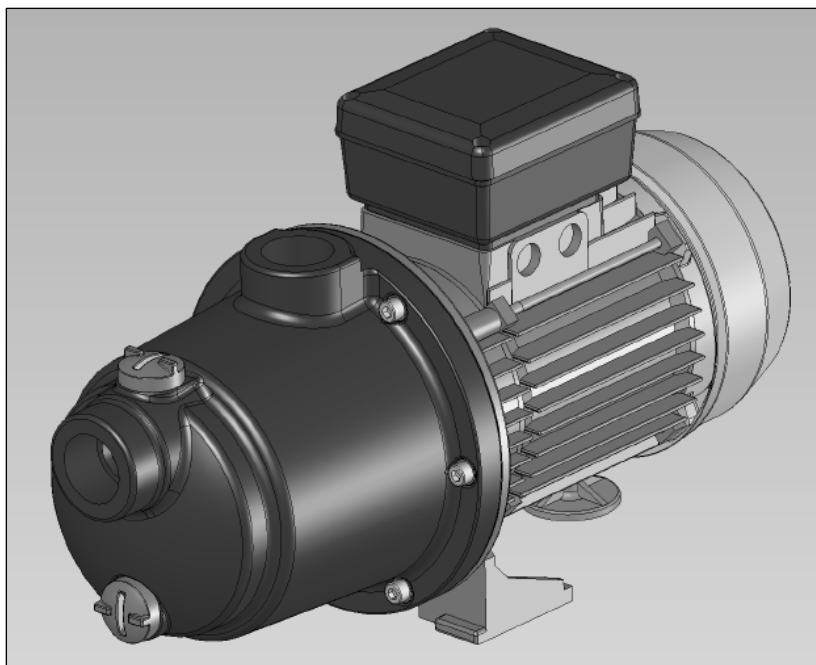


**Pump for Pressure-Side Cleaners
or Water Boosting Applications**

For Models:

S4P100M

S5P150M



a  Pentair Water Company

**Pentair Water Belgium bvba
Industriepark Wolfstee
Toekomstlaan 30
B-2200 Herentals – Belgium
+32 (0) 14.25.99.11
www.pentairpooleurope.com**

I DICHIARAZIONE CE DI CONFORMITÀ
La Ditta PENTAIR WATER ITALY Srl dichiara sotto la propria responsabilità che le elettropompe sotto indicate sono conformi ai Requisiti Essenziali di Sicurezza e di Tutela della Salute di cui alle Direttive 98/37, 2006/95/CE, 2004/108/CE e loro successive modifiche.

GB EC DECLARATION OF CONFORMITY
The Company PENTAIR WATER ITALY Srl declares, under its own responsibility, that the below mentioned electropumps are compliant with the relevant Health and Safety standards, specified in directives 98/37, 2006/95/CE, 2004/108/CE and subsequent amendments.

F DECLARATION CE DE CONFORMITE
La Société PENTAIR WATER ITALY Srl déclare sous sa propre responsabilité que les électropompes sous-mentionnées sont conformes aux Conditions Essentielles de Sécurité et de Tutelle de la Santé selon les directives 98/37, 2006/95/CE, 2004/108/CE et leurs modifications suivantes.

D EG KONFORMITÄTSERKLÄRUNG
Die unterzeichnende Firma PENTAIR WATER ITALY Srl erklärt unter eigener Verantwortung, daß die untererwähnten Elektropumpen den wesentlichen Sicherheits- und gesundheitlichen Anforderungen der Richtlinien 98/37, 2006/95/CE, 2004/108/CE und nachfolgenden Änderungen entsprechen.

E DECLARACIÓN CE DE CONFORMIDAD
La Empresa PENTAIR WATER ITALY Srl declara bajo la propia responsabilidad que las electrobombas que se indican debajo cumplen con los Requisitos Esenciales de Seguridad y de Tutela de la Salud establecidas en las Directivas 98/37, 2006/95/CE, 2004/108/CE y sucesivas modificaciones.

NL CONFORMITEITSVERKLARING CE
De ondertekenende firma PENTAIR WATER ITALY Srl verklaart onder eigen verantwoording dat hieronder aangegeven elektrische pompen voldoen aan de Essentiële Eisen met betrekking tot de Veiligheid en de Gezondheid vermeld in de richtlijn 98/37, 2006/95/CE, 2004/108/CE en de daaropvolgende wijzigingen.

Art:

SP 100 M

SP 150 M



HARMONIZED STANDARDS:

EN 809
EN 60335-2-41: 2003 + A1
EN 60335-12002 +A1+A2+A11+A12

EN 61000-6-3
EN 61000-6-1
EN 55014
EN 60555 **08**

Lugnano (Pisa) 19/02/2008

PENTAIR WATER ITALY Srl
via Masaccio, 13
56010 Lugnano - Pisa - ITALY
Tel. 050/71.61.11 - Fax 050/70.31.37

Vittorio Brundu
PLANT MANAGER

Contents

1.	Introduction.....	Page 2
2.	Safety.....	Page 2
3.	Proper Use.....	Page 4
4.	Transport/Winterizing.....	Page 4
5.	Installation.....	Page 5
6.	Operation.....	Page 7
7.	Trouble-Shooting.....	Page 7
8.	Maintenance/Repair.....	Page 8
9.	Disposal.....	Page 8
10.	Technical Data.....	Page 9
11.	Replacement Parts.....	Page 45

1. Introduction

1.1 Customer Instructions

These operating instructions contain important information on the safety, proper and economical operation of the pump. Strict observation of the operating instructions will help to avoid dangers, reduce repair costs and shutdown times and increase the reliability and working life of the product.

The operating instructions must be read and followed by all persons carrying out any installation or work on the product – especially the section on Safety instructions. These instructions must be available to maintenance and repair personnel at all times. Always keep a copy of these instructions in order to ensure proper use and maintenance of the product.

Before starting operation or any repair work, first read the relevant section which applies.

In case of doubt, please contact the manufacturer. In addition to these operating instructions, the legal accident prevention regulations prevailing in the country of use and at the point of installation must also be observed. The accepted specialist, technical guidelines for safe and proper working must be followed at all times.

1.2 Target Groups

Definitions:

a) As the legally responsible person, the **operator** is responsible for the proper use of the product and for the training and use of authorized persons. He defines the binding responsibilities and instruction authority of authorized persons.

b) **Specialists** are defined as persons, who on the basis of their professional training, skills and experience, are able to assess the work in hand and recognize any possible dangers. They are also aware of the applicable conditions. These must be only properly trained specialists or other persons who in the opinion of the operator possess the necessary skills.

c) **Trained persons** are individuals who have been trained or instructed in the required tasks and the possible dangers resulting from incorrect actions. They must also have been instructed on the necessary safety devices and precautions to be taken. Personnel undergoing training or instruction may only work under the continual supervision of an experienced person.

Installation, dismantling, maintenance or repair work may only be carried out by proper trained specialist.

All other work on the product may be carried out by trained personnel.

All responsibilities must be clearly defined and demarcated. The legally specified minimum age must be observed.

1.3 Liability and Guarantee

All information and instructions on operation and maintenance are given to the best of our knowledge and on the basis of past experience. These operating instructions have been compiled with great care and attention. If they should be found to contain errors or omissions, please inform us accordingly in writing. Your improvement suggestions will help us to produce more user-friendly operating instructions.

1.4 Copyright

All rights reserved. Duplication or disclosure to third parties, in any form whatsoever, is not permitted without prior written approval.

2. Safety

A thorough knowledge of the basic safety instructions is an essential requirement for the safe use and trouble-free operation of this product. The legal accident prevention regulations prevailing at the point of installation, and the accepted specialist, technical rules for safe and proper working must also be followed at all times.

2.1 Pictograms

The following designations and danger symbols are used in these operating instructions.



This symbol indicates possible danger of serious or fatal injury to persons.



Attention

This symbol indicates possible danger of damage to materials or the environment.



Dispose of packaging properly and safely. National regulations must be observed.



Warning of dangerous electrical voltage

Failure to follow the safety instructions may result in serious adverse health effects, or even serious or fatal injury. Failure to follow the safety instructions will in all cases invalidate all guarantees and liability on the part of the manufacturer.

Failure to follow the safety instructions may lead to the following dangers:

- Failure of important functions of the swimming pool and/or other equipment
- Failure of the prescribed maintenance measures
- Danger to persons due to electrical, mechanical or chemical effects
- Danger to the environment due to the leakage of dangerous materials
- Damage to equipment and building works

2.2 Basic Safety Requirements

The pumps comply with the basic health and safety requirements of the EU. However, dangerous situations may still occur.

The pumps must only be used and operated when in proper operating condition and in accordance with these operating instructions. Any faults which might tend to impair safety must be rectified immediately.

- In order to ensure safety, all persons coming in to contact with the product must be aware of the contents of these operating instructions. Only in this way can the occurring risks be reduced to a minimum.

- The product must not be used for any other purpose than that specified by the manufacturer. This may cause unforeseeable risks.
- Local work and safety regulations and laws must be followed at all times. The same applies for environmental regulations.
- If any faults or dangers are identified, personnel must inform the operator or his representative immediately.
- Safety devices must never be removed or bypassed during normal operation of the product.
- If safety devices have to be removed or dismantled during maintenance or repair work, they must be refitted and **tested** immediately on completion of the maintenance or repair work.
- Work on technical equipment (e.g. electrics) may only be carried out by qualified, specialist personnel.
- Take special care when working with electric motors. They become hot during operation. Allow motor to cool down before starting repair work. If this is not possible, take suitable precautions, e.g. wear protective gloves.
- Personnel undergoing training or instruction may only work on the pumps under the continual supervision of an experienced person.
- All safety instructions and warnings on the product must be kept in a clearly legible condition at all times.
- Hot parts must not be allowed to come into contact with explosives or highly flammable chemicals.

2.3 Safety Devices and Regulations

This section describes all the safety devices of the product:



Attention

All safety devices must be kept proper operating condition at all times.

2.3.1 Protective Devices

Protective devices may only be removed or deactivated by suitable authorized persons, and only when this is absolutely necessary for the performance of specific work. Protective devices must be reactivated and tested immediately.

2.3.2 Other Safety Components and Regulations

Work on electrical components must be carried out by a qualified electrician in accordance with accepted technical practices.

The operating instructions provided by the motor manufacturer (if applicable) must be followed at all times.

The electrical equipment of the pump must be inspected and checked regularly. Faults such as loose connections or damaged cables must be corrected immediately.

3. Proper Use

The product is designed for the pumping of clear or slightly cloudy water in swimming pool applications. In case of other media or applications, the exact usage specification must be discussed with the manufacturer.

The product must only be used as specified in these instructions. Any other form of use constitutes improper use. In this case, the manufacturer accepts no liability for any resulting damages.

The product has been designed and constructed to the latest state of technology, and is completely safe and reliable if used in accordance with these operating instructions and any other specific system or operating requirements.

Nevertheless, their use may still give rise to danger to life and limb of the operator or other persons, or damage to the product or other equipment.

Modifications to the product is possible in certain cases. In such cases, advance, written approval must be obtained from the manufacturer.

The manufacturer accepts no responsibility in the following cases:

- Failure to observe the information in these operating instructions
- Use of spare parts or components not approved by the manufacturer
- Incorrect operation
- Removal, modification or deactivation of safety devices
- Improper performance of maintenance work
- Improper use

3.1 Improper Use

The product may cause dangers if used improperly or not for their intended purpose.

Under no circumstances must the pump be used for aggressive fluids, inflammable fluids, toxic fluids or other unapproved solutions.

Do not use the pump if people are in the swimming pool.

4. Transport/Winterizing

The complete delivery should be checked immediately on arrival for completeness and any possible transport damage. Complaints will only be accepted if they are reported to the shipper or manufacturer on the day of delivery.

4.1 Unpacking

The packaging materials should be reused if possible, or disposed of in accordance with local regulations.

4.2 Storage – Winterizing



Attention

Extended intermediate storage in an environment with high air humidity and changing temperatures should be avoided. Condensation may damage the motor windings and other metallic parts. This will invalidate the guarantee.



Attention

The pump may also be damaged if exposed to frost. This will also invalidate the guarantee. Anti-freeze must not be used, since this can cause damage to plastic parts.

In the event of risk of frost, the pump should be drained thoroughly. To do this, open the drain plug and allow water to drain out of the pump. Also tip the pump upside down to drain any additional water from discharge port of the pump. The piping system should also be emptied completely of water.

Check all water pipe connections when re-installing the pump after the winter or extended storage periods. Open the shut-off valves in the suction and pressure lines. Close all drain valves in the system and on the pump. Start the pump in accordance with the instructions given in the **Installation** section of this manual.

5. Installation

This section describes the procedure for the installation and starting of the pump. It describes how the work must be carried out and features requiring special attention.

- The installation and starting of the pump may be carried out only by suitable approved personnel.

5.1 General

The pump should preferably be installed on a concrete surface and screwed into place using the holes of the base. The pump must be installed in a dry location. If the pump is installed in a damp location, adequate ventilation must be ensured to prevent the formation of condensation. Adequate ventilation must always be ensured to allow proper operation of motor.

Sufficient space should be allowed for the installation and maintenance of the pump. Note the pump dimensions and allow at least 25cm free space around the unit.

The pump should be installed as close as possible to the pool for maximum performance. Ensure that the installation meets local regulations for proper installation.

Short, straight pipes should be used wherever possible to avoid frictional losses.

5.2 Power supply

Electric power supply should have the following characteristics:

- Offer a differential protection.

- Offer voltage and frequency values compliant with the values indicated on the motor nameplate.
- Offer a power not below the value indicated on the motor nameplate.
- Be equipped with an appropriate thermal protection.
- Be equipped with a thermal relay adjusted according to the actual current absorbed.
- Be equipped with a cut-off switch with protective fuses.
- Be equipped with cables with a section suitable to the power absorbed by the motor.

5.3 Installation



Danger

All installation operations should be performed while the electropump is disconnected from the mains.



Warning

Do not install the machine in environments containing gases and/or inflammable or explosive materials.



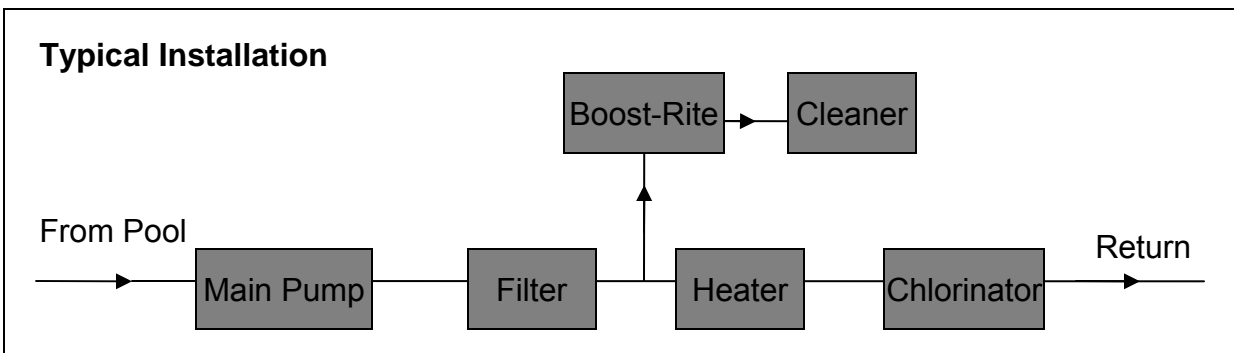
Danger

Electropumps are designed so that all the moving parts are rendered inoffensive by means of protections. Do not use the electropump if these protections have been removed or are damaged, since this could cause serious accidents to people.



Danger

The machine supply line should always have a differential circuit breaker.



5.4 Plumbing Connections

Care must be taken to ensure that no leaks occur following installation of connections

If the inlet and outlet pipes are connected directly to the pump, only use Teflon sealing tape to ensure a good seal.

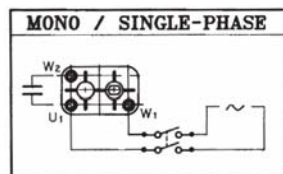
If screw fittings are used, these must not be sealed by sealing compounds. Screw fittings seal with the aid of an O-ring and need only be tightened hand-tight.

The pump inlet and outlet thread connections are equipped with a thread stop. The connecting fitting cannot be forced beyond this point.

Do NOT over-tighten connection points. Hand-tight plus no more than 2 turns should be sufficient.

The piping installation should be started at the pump in order to avoid stresses to the pump housing – when possible. Air pockets can be avoided by installing the suction line at a slight incline toward the pump. A straight pipe of at least 50cm in length should be installed to the suction connection.

5.5 Electrical Connections



This must be done by a certified Electrician. A separator must be installed in the electrical system which allows disconnection from the power supply with a contact opening gap for each pole of at least 3 mm. The manufacturer accepts no liability for damage to the motor that can be prevented by the installation of an external protection switch. Please use the electrical data from the motor nameplate for any electrical system sizing. Otherwise, all guarantee claims are invalid in the event of damage to the motor and/or pump.



The product must be grounded.

5.6 Connection to the mains



Danger

The installer will have to make sure that the electric supply system has an adequate grounding compliant with the laws in force.



Danger

Check that the supply system has a differential switch with a degree of sensitivity of $I_{\Delta n} = 30$ mA (EN 61008-1 / EN 61009-1).



Danger

Before removing the cover from the terminal block of the motor and before performing operations on the machine, make sure that the supply line has been cut-off.

To connect the machine to the mains, perform the operations described here below:

- Make sure that the motor is suitable to the mains voltage and frequency.
- Cut the electric system off by using a cut-off switch.
- Check to ensure that certified cables are used in accordance with current regulations, with three cross-sections (2 + earth) of at least 0.75 mm², with a maximum length of 5 m for the cable. If the cable is longer, the cross-section must be increased in a suitable manner pursuant to currently applicable regulations.
- The following must be used as a conductor for the connection:
 - Outdoors → cable H07RN-F
 - In inside areas → cable H05RN-F or H07RN-F
- For ambient temperatures of 40°C to 50°C, supply cables with temperature characteristics of at least 95°C and minimum wire gauge of 1.5mm² must be used.

- Loosen the screws that fix the cover to the terminal block.
- Insert the supply cable into the cable holder.
- Connect the phases and ground to the terminals.
- Reposition the cover of the terminal block with the related gasket.
- Tighten the screws that fix the cover to the terminal block
- The pump has built-in , automatic reset thermoamperometric protection.

In case of intervention by this safety device as a result of overheating, disconnect from the power supply and leave the motor to cool until it reaches an acceptable temperature. Before re-using the pump, check to verify the reasons which caused the motor to overheat.

6. Operation

6.1 Preparation for Operation

Never allow the pump to run dry (without water). This will cause damage to the shaft seal and internal plastic components.

6.2 Starting the Pump

In a flooded suction type application (pump below water level or in-line with primary pump),

the pump starts as soon as the shut-off valves in the inlet are opened.

In non-flooded applications, the pump must be primed by adding water within the suction piping and pump cavity.

The pump starts working after switching on. The suction action time depends on the suction height and the length of the suction line.

If the pump does not work, check that all shut-off valves are open and that there are no leaks in the suction line where air can enter the water line preventing activation.

7. Trouble-Shooting

Pump will not prime:

- Insufficient water in pump casing
- Primary pump not providing water
- Incoming valve closed
- Air leak in suction line

Motor does not operate:

- Power is off
- Circuit breaker has tripped
- Pump is off by time controlled circuit
- Motor connection is incorrect
- Impeller is blocked by debris

Low Flow- High Filter Pressure:

- Filter is dirty
- Restriction in return line

Low Flow – Low Filter Pressure:

- Inlet plumbing is blocked
- Impeller is blocked by debris
- Air leak in suction line
- Motor rotation is incorrect

Noisy Pump:

- Air leak in Suction line
- Debris in plumbing lines or pump housing
- Diameter of suction line is too small
- Incorrect pump installation
- Cavitation (restriction of water)

Heating of Motor:

- Insufficient ventilation for motor
- Size of wiring too small

8. Maintenance

Regular maintenance, cleaning and inspection of the pumps is extremely important. This will reduce problems and increase operating safety and reliability.

8.1 Maintenance

Maintenance of the product should be carried out only by specially qualified personnel.

Before the starting the pump after extended non-use or when restarting in the spring, it is advisable to turn the motor shaft, with the pump switched off and the pump full of water, by means of the motor fan using a screwdriver. This will free the shaft seal and make starting the pump easier.

8.2 Replacement Parts

Replacement parts must conform to the technical requirements specified by the manufacturer. This is always guaranteed when using original replacement parts. We only offer a guarantee for original replacement parts supplied by us. We accept no liability or guarantee in the event of damage caused by the use of unauthorized replacement parts or accessories.

9. Disposal



Ensure safe and environmental disposal of the product which meets applicable national regulations.

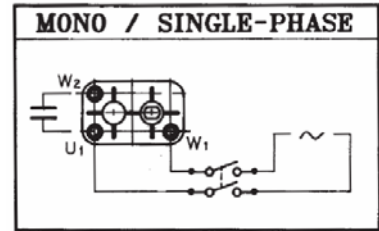
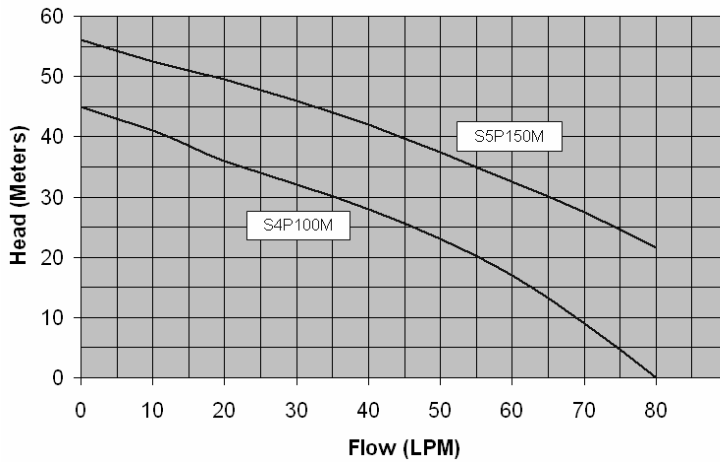


Only for EU countries

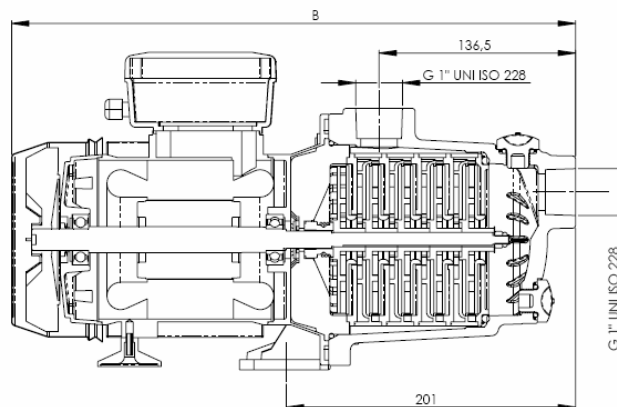
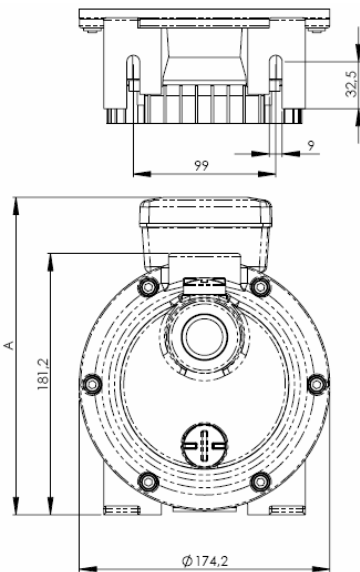
Do not dispose of electric tools together with household waste material!

In observance of European Directive 2002/96/EC on waste electrical and electronic equipment and its implementation in accordance with national law, electric tools that have reached the end of their life must be collected separately and returned to an environmentally compatible recycling facility.

10. Technical Data



Max Ambient Temperature.....	50C
Max Water Temperature.....	50C
Max Salt content in Water.....	0,4%
pH-Range.....	4-9
Max Operating Pressure.....	6 Bar
Protection Type.....	IP44
Insulation Class.....	F
Revolutions per Minute (RPM).....	2850
Max Noise Level.....	75dB(A)
Voltage(s).....	220-240V
Phase(s).....	Mono Only
Inlet/Outlet Thread.....	1" BSP



MODEL	A	B
S4P100M	185	370
S5P150M	190	385

Table des matières

1.	Introduction.....	Page 10
2.	Sécurité.....	Page 10
3.	Bonne utilisation.....	Page 12
4.	Transport/hivernage.....	Page 12
5.	Installation.....	Page 13
6.	Fonctionnement.....	Page 15
7.	Dépannage.....	Page 15
8.	Maintenance/réparations.....	Page 15
9.	Élimination.....	Page 16
10.	Données techniques.....	Page 16
11.	Pièces de rechange.....	Page 45

1. Introduction

1.1 Instructions destinées aux clients

Ces instructions d'utilisation contiennent des informations importantes sur la sécurité, le bon fonctionnement économique de la pompe. Une observation stricte de ces instructions permettra d'éviter les dangers, réduire les frais de réparation et les temps d'arrêt et augmenter la fiabilité et la durée de vie du produit.

Les instructions de fonctionnement doivent être lues et suivies par toutes les personnes réalisant toute installation ou tout travail sur le produit - plus particulièrement le chapitre sur les instructions relatives à la sécurité. Ces instructions doivent être à disposition du personnel de maintenance et de réparation à tout moment. Veuillez toujours conserver un exemplaire de ces instructions afin de garantir une bonne utilisation et maintenance du produit.

Avant de commencer le fonctionnement ou tout travail de réparation, veuillez d'abord lire le chapitre approprié qui s'y réfère.

En cas de doute, veuillez contacter le fabricant. En plus de ces instructions d'utilisation, les réglementations juridiques de prévention des accidents en vigueur dans le pays d'utilisation sur le lieu d'installation doivent également être observées. Les directives techniques spécifiques acceptées pour un bon fonctionnement doivent être suivies à tout moment.

1.2 Groupes cibles

Définitions :

a) En tant que personne légalement responsable, l'**opérateur** est en charge de la bonne utilisation du produit et de la formation des et de l'utilisation par les personnes autorisées. Il définit les responsabilités et l'autorité de formation des personnes autorisées.

b) Les **Experts** sont définis en tant que personnes qui, sur la base de leur formation professionnelle, compétences et expérience, sont capables d'évaluer le travail et reconnaître les dangers possibles. Ils sont également conscients des conditions applicables. Ils doivent être uniquement des spécialistes bien formés ou d'autres personnes qui, selon l'opérateur, possèdent les compétences nécessaires.

c) Les **personnes formées** sont des personnes qui ont été formées aux tâches requises et aux dangers possibles résultant d'actions incorrectes. Elles doivent également avoir été formées aux équipements de sécurité nécessaires et aux précautions à prendre. Le personnel suivant une formation ne peut travailler que sous le contrôle continu d'une personne expérimentée.

L'installation, le démontage et les travaux de maintenance ou de réparation ne peuvent être réalisés que par un expert correctement formé.

Tous les autres travaux sur le produit peuvent être réalisés par du personnel formé.

Toutes les responsabilités doivent être clairement définies et démarquées. L'âge minimum légal spécifié doit être observé.

1.3 Responsabilité et garantie

Toutes les informations et instructions sur le fonctionnement et la maintenance sont communiquées au mieux de notre connaissance et sur la base de l'expérience passée. Ces instructions de fonctionnement ont été compilées avec soin et attention. S'il s'avérait qu'elles contiennent des erreurs ou omissions, veuillez vous nous en informer par écrit. Vos suggestions d'amélioration nous aideront à produire des instructions d'utilisation plus conviviales.

1.4 Copyright

Tous droits réservés La reproduction ou la divulgation à des tiers, sous quelque forme que

2. Sécurité

Une connaissance approfondie des instructions de base sur la sécurité est une exigence essentielle pour la bonne utilisation et le fonctionnement sans problème de ce produit. Les réglementations légales de prévention des accidents en vigueur sur le point d'installation et les règles techniques spécifiques acceptées pour un bon fonctionnement doivent être suivies à tout moment.

2.1 Pictogrammes

Les désignations et symboles de danger suivant sont employés dans ces instructions d'utilisation.



Ce symbole indique un danger possible de blessure grave ou mortelle aux personnes.



Attention

Ce symbole indique un danger possible de dommage aux matériaux ou à l'environnement.



Veillez éliminer les emballages de manière correcte et sûre. Les réglementations nationales doivent être observées.



Avertissement d'une tension électrique dangereuse

Un manquement à suivre les instructions de sécurité peut résulter en des effets graves sur la santé, voire même des blessures graves ou mortelles. Un manquement à suivre les instructions de sécurité invalidera dans tous les cas les garanties et la responsabilité de la part du fabricant.

Un manquement à suivre les instructions de sécurité peut conduire aux dangers suivants :

- Échec de fonctions importantes de la piscine et/ou autres équipements.
- Échec des mesures de maintenance prescrites
- Danger aux personnes en raison d'effets électriques, mécaniques ou chimiques.
- Danger à l'environnement en raison de fuite de matières dangereuses
- Dommage aux équipements et bâtiments

2.2 Exigences de sécurité de base

Les pompes se conforment aux exigences de base de l'UE en matière de santé et de sécurité. Toutefois, des situations dangereuses peuvent toujours survenir.

Les pompes ne doivent être utilisées et actionnées que dans un état de bon fonctionnement et conformément aux instructions d'utilisation. Tout défaut qui peut affecter la sécurité doit être rectifié immédiatement.

- Afin de garantir la sécurité, toutes les personnes entrant en contact avec le produit doivent avoir connaissance du contenu de ces instructions d'utilisation. On ne peut réduire les risques à un minimum que de cette manière.

- Le produit ne doit pas être utilisé pour tout autre objet que celui spécifié par le fabricant. Cela peut provoquer des risques imprévisibles.
- Les réglementations et lois locales sur la sécurité au travail doivent être suivies à tout moment. Ceci s'applique aux réglementations sur l'environnement.
- Si un danger ou une défaillance sont identifiés, le personnel doit informer immédiatement l'opérateur ou son représentant.
- Les équipements de sécurité ne doivent jamais être retirés ou contournés pendant le fonctionnement normal du produit.
- Si des équipements de sécurité doivent être retirés ou démontés pendant des travaux de maintenance ou de réparation, ils doivent être réinstallés et **testés** immédiatement ou à l'achèvement des travaux de maintenance ou de réparation.
- Les travaux sur les équipements techniques (par exemple électriques) ne peuvent être réalisés que par du personnel expert et qualifié.
- Veuillez porter une attention particulière quand vous travaillez avec des moteurs électriques. Ils deviennent chauds pendant le fonctionnement.
- Laissez refroidir le moteur avant de commencer les travaux de réparation. Si cela n'est pas possible, prenez les précautions adaptées, par exemple des gants de protection.
- Le personnel suivant une formation ne peut travailler sur les pompes que sous le contrôle continu d'une personne expérimentée.
- Toutes les instructions de sécurité et les avertissements sur le produit doivent être conservées clairement de manière lisible à tout moment.
- Les pièces chaudes ne doivent pas pouvoir venir en contact avec des explosifs ou des produits chimiques hautement inflammables.

2.3 Équipements et réglementations de sécurité

Ce chapitre décrit tous les équipements de sécurité du produit :



Attention

Tous les équipements de sécurité doivent être conservés dans un bon état de fonctionnement à tout moment.

2.3.1 Équipements de protection

Les équipements de sécurité ne doivent être retirés ou désactivés que par des personnes autorisées et uniquement quand cela est absolument nécessaire pour l'exécution du travail spécifique. Les équipements de protection doivent être réactivés et testés immédiatement.

2.3.2 Autres composantes et réglementations de sécurité

Les travaux sur des composants électriques doivent être entrepris par un électricien qualifié conformément aux pratiques techniques acceptées.

Les instructions de fonctionnement fournies par le fabricant de moteur (le cas échéant) doivent être suivies à tout moment.

L'équipement électrique de la pompe doit être inspecté et vérifié régulièrement. Les défauts comme les raccords lâches ou les câbles endommagés doivent être corrigés immédiatement.

3. Bonne utilisation

Le produit est conçu pour le pompage d'eau propre ou légèrement trouble dans les applications de piscines. En cas d'autres supports ou applications, les spécifications exactes d'utilisation doivent être abordées avec le fabricant.

Le produit doit uniquement être employé tel que spécifié dans ces instructions. Toute autre forme d'utilisation constitue un mauvais usage. Dans ce cas, le fabricant n'accepte aucune responsabilité pour tout dommage résultant.

Le produit a été conçu et construit selon les dernières technologies et il est complètement sûr et fiable s'il est utilisé conformément à ces instructions de fonctionnement et toute autre exigence de fonctionnement ou système spécifique.

Cependant, son utilisation peut toujours donner naissance à un danger pour la vie ou la mort de l'opérateur ou d'autres personnes ou un dommage au produit ou autre équipement.

Des modifications du produit sont possibles dans certains cas. Dans de tels cas, une approbation par avance et par écrit doit être obtenue du fabricant.

Le fabricant n'endosse aucune responsabilité dans les cas suivants :

- Manquement à observer les informations dans ces consignes d'utilisation
- Utilisation de pièces détachées ou composants non agréés par le fabricant
- Mauvais fonctionnement
- Retrait, modification ou désactivation des équipement de sécurité

- exécution inappropriée des travaux de maintenance
- utilisation inappropriée

3.1 Mauvaise utilisation

Le produit peut provoquer des dangers s'il est mal utilisé ou pas dans l'objet intentionnel.

En aucune circonstance la pompe ne doit être utilisée pour des fluides agressifs, inflammables, toxiques ou autre solution non approuvée.

Ne pas utiliser la pompe s'il y a des personnes dans la piscine.

4. Transport/hivernage

La totalité de la livraison doit être vérifiée immédiatement à l'arrivée pour en vérifier l'intégralité et tout dommage possible dû au transport. Les réclamations ne seront acceptées que si elles sont déclarées au transporteur ou au fabricant le jour de la livraison.

4.1 Déballage

Les matériaux d'emballage doivent être réutilisés si possible ou jetés conformément aux réglementations locales.

4.2 Stockage - Hivernage



Attention

Un stockage intermédiaire prolongé dans un environnement avec un degré élevé d'humidité dans l'air et des changements de température doit être évité. La condensation peut endommager les bobinages des moteurs et autres pièces métalliques. Cela invalidera la garantie.



Attention

La pompe peut également être endommagée si elle exposée au gel. Cela invalidera la garantie. Il ne faut pas employer d'antigel puisque cela peut provoquer des dommages aux pièces en plastique.

Dans le cas d'un risque de gel, la pompe doit être correctement vidangée. Pour ce faire, veuillez ouvrir la prise de vidange et permettre à l'eau de s'écouler hors de la pompe. Veuillez également faire égoutter la pompe tête vers le bas pour vidanger toute eau supplémentaire de l'orifice d'évacuation de la pompe. Le système de tuyauterie doit également être vidé complètement.

Veuillez vérifier tous les raccords de tuyaux d'eau lors de la réinstallation de la pompe après l'hiver ou des périodes de stockage prolongées. Ouvrez les robinets d'arrêt dans les conduites d'aspiration et de pression. Fermez tous les robinets de vidange dans le système et sur la pompe. Démarrez la pompe conformément aux instructions données dans le chapitre **Installation** de ce manuel.

5. Installation

Ce chapitre décrit la procédure pour l'installation et le démarrage de la pompe. Il décrit comment les travaux doivent être exécutés et les caractéristiques réclamant une attention particulière.

- L'installation et le démarrage de la pompe peuvent être réalisés uniquement par du personnel agréé adapté.

5.1 Généralités

La pompe doit de préférence être installée sur une surface en béton et vissée en place à l'aide des trous sur le socle. La pompe doit être installée dans un endroit sec. Si la pompe est installée dans un endroit humide, une ventilation appropriée doit être assurée afin d'empêcher la formation de condensation. Une ventilation appropriée doit toujours être assurée pour permettre un bon fonctionnement du moteur.

Un espace suffisant doit être autorisé pour l'installation et la maintenance de la pompe. Veuillez noter les dimensions de la pompe et permettre au moins 25 cm d'espace libre autour de l'unité

La pompe doit être installée aussi près que possible de la piscine pour une performance maximale. Veuillez garantir que l'installation répond aux réglementations locales de bonne installation.

Des tuyaux courts et horizontaux doivent être utilisés chaque fois que possible pour éviter les pertes de frottement.

5.2 Alimentation

Le réseau d'alimentation électrique doit présenter les caractéristiques suivantes:

- Présenter une protection différentielle.
- Avoir des valeurs de tension et de fréquence qui correspondent aux valeurs indiquées sur la plaque d'identification du moteur de la machine.
- Disposer d'une puissance de refoulement qui ne soit pas inférieure à la valeur indiquée sur la plaque d'identification du moteur de la machine.
- Présenter un térupteur avec protection thermique adaptée.
- Présenter un relais thermique autocompensé et régler en fonction du courant réel absorbé.
- Présenter un disjoncteur avec fusibles de protection.
- Avoir suffisamment de câbles de section pour le courant absorbé par le moteur.

5.3 Installation



Danger

Toutes les opérations relatives à l'installation doivent être effectuées avec la pompe déconnectée du réseau d'alimentation électrique.



Warning

Ne pas installer la machine dans des locaux où sont présents des gaz et/ou des matériaux inflammables ou explosifs.



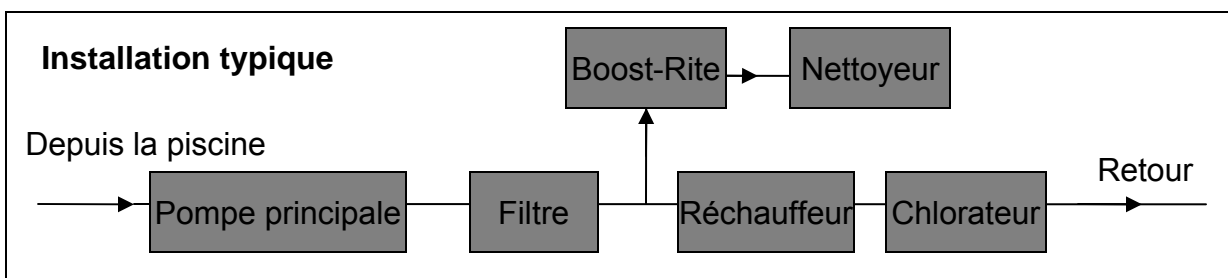
Danger

Les pompes sont projetées de façon à ce que toutes les parties en mouvement soient rendues inoffensives grâce à l'utilisation de protections. Ne pas utiliser la pompe si les protections ont été enlevées ou endommagées: ceci pourrait causer de graves dommages aux personnes.



Danger

Sur la ligne d'alimentation de la machine un interrupteur automatique différentiel doit toujours être inséré.



5.4 Raccords de plomberie

Il faut faire attention afin de garantir qu'aucune fuite ne survienne à la suite de l'installation des raccords

Si les tuyaux d'entrée et de sortie sont raccordés directement à la pompe, n'utilisez que de la bande adhésive en Téflon pour garantir une bonne étanchéité.

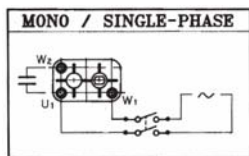
Si des raccords à vis sont utilisés, ils ne doivent pas être scellés par des composants d'étanchéité. Les raccords à vis se scellent à l'aide d'un joint torique et doivent uniquement être serrés à la main.

Les raccords filetés d'entrée et de sortie de la pompe sont équipés d'une butée fileté. Le raccord ne peut être forcé au-delà de ce point.

Ne serrez pas trop les points de raccord. Serrez à la main et pas de plus de 2 tours devraient être suffisants.

L'installation de tuyauterie doit être démarrée au niveau de la pompe afin d'éviter les contraintes au carter de la pompe - lorsque cela est possible. Des poches d'air peuvent être évitées en installant la conduite d'aspiration selon une légère inclinaison vers la pompe. Un tuyau horizontal d'au moins 50cm de long doit être installé sur le raccord d'aspiration.

5.5 Raccords électricité



Ceci doit être effectué par un électricien certifié. Un séparateur doit être installé dans le système électrique qui permet la déconnexion de l'alimentation électrique avec un espace d'ouverture de contact pour chaque pôle d'au moins 3 mm. Le fabricant n'accepte aucune responsabilité pour les dommages qui peuvent être empêchés par l'installation d'un commutateur externe de protection. Veuillez utiliser les données électriques provenant de la plaque du moteur pour tout calibrage du système électrique. Autrement, toutes les demandes en application de garantie sont invalides dans le cas d'un dommage au moteur et/ou à la pompe.



Le produit doit être mis à la terre.

5.6 Branchement à l'installation électrique



Danger

Il revient à l'installateur de s'assurer que l'installation électrique est bien pourvue d'une prise de terre efficace selon les normes en vigueur.



Danger

Il faut vérifier que l'installation électrique soit dotée d'un interrupteur différentiel à haute sensibilité $I_{\Delta n} = 30$ mA (EN 61008-1 / EN 61009-1).



Danger

Avant d'enlever le couvercle de la boîte à bornes du moteur et avant toute intervention sur la machine, s'assurer que l'alimentation soit coupée.

Pour brancher la machine à l'installation électrique, effectuer les opérations suivantes:

- S'assurer que le moteur soit adapté à la tension et à la fréquence du réseau.
- Sectionner l'installation électrique à l'aide du disjoncteur.
- S'assurer qu'on utilise des câbles homologués conformément aux normes en vigueur avec trois conducteurs de section (2+terre) d'au moins 0,75 mm² pour une longueur maximale du câble de 2 m. Si la longueur du câble est supérieure, augmenter la section des conducteurs de façon adéquate conformément aux normes en vigueur.
- Utiliser comme conducteur de branchement:
 - à l'extérieur → câble H07RN-F
 - à l'intérieur → câble H05RN-F ou H07RN-F
- Pour une température ambiante de 40° à 50°C, il faut utiliser des câbles d'alimentation résistant à une d'au moins 95°C et avec une section minimum des conducteurs d'1.5 mm²
- Dévisser les vis qui fixent le couvercle de la boîte à bornes.
- Insérer le câble d'alimentation dans le serre-fils.
- Relier les phases et la terre aux bornes.
- Remettre en position le couvercle de la boîte à bornes avec la garniture.
- Visser les vis qui fixent le couvercle de la boîte à bornes.
- La pompe a une protection thermo-ampéremétrique à réarmement automatique incorporée dans le moteur.

En cas d'intervention de cette protection en cas de surchauffe, déconnecter l'alimentation et laisser refroidir le moteur jusqu'à une température tolérable. Avant de réutiliser la pompe, vérifier les causes de la surchauffe du moteur.

6. Fonctionnement

6.1 Préparation du fonctionnement

Ne jamais permettre à la pompe de fonctionner à sec (sans eau). Cela provoquera des dommages au joint de l'arbre et aux composants internes en plastique.

6.2 Démarrage de la pompe

Dans une application du type à aspiration par gravité (pompe en dessous du niveau de l'eau ou en ligne avec la pompe principale), la pompe démarre dès que les robinets d'arrêt dans l'orifice d'entrée sont ouverts.

Dans les applications non remplies par gravité, la pompe doit être amorcée en ajoutant de l'eau à l'intérieur du tuyau d'aspiration et de la cavité de la pompe.

La pompe commence à fonctionner après allumage. Le temps d'action de l'aspiration dépend de la hauteur d'aspiration et de la longueur de la conduite d'aspiration.

Si la pompe ne fonctionne pas, vérifiez que tous les robinets d'arrêt sont ouverts et qu'il n'y a pas de fuite dans la conduite d'aspiration dans laquelle l'air peut pénétrer la conduite d'aspiration, empêchant ainsi l'activation.

7. Dépannage

La pompe ne s'amorcera pas :

Insuffisance d'eau dans le carter de la pompe

Pompe principale ne fournissant pas d'eau

Robinet entrant fermé

Fuite d'air dans la conduite d'aspiration

Le moteur ne fonctionne pas :

L'alimentation est coupée

Le coupe-circuit est déclenché

La pompe est éteinte par le circuit basé sur le temps

La connexion du moteur est incorrecte

La tête de pompe est bloquée par des débris

Faible écoulement - pression du filtre élevée :

Le filtre est sale

Restriction dans la conduite de retour

Faible écoulement - faible pression du filtre :

La plomberie d'entrée est bloquée

La tête de pompe est bloquée par des débris

Fuite d'air dans la conduite d'aspiration

La rotation du moteur est incorrecte

Pompe bruyante :

Fuite d'air dans la conduite d'aspiration

Débris dans les conduites de plomberie ou le carter de la pompe

Le diamètre de la conduite d'aspiration est trop petit

Mauvaise installation de la pompe

Cavitation (restriction d'eau)

Chauffage du moteur :

Ventilation insuffisante pour le moteur

Taille du câblage trop petite

8. Maintenance

La maintenance, le nettoyage et l'inspection réguliers des pompes sont extrêmement importants. Cela réduira les problèmes et augmentera la sécurité et la fiabilité opérationnelles.

8.1 Maintenance

La maintenance du produit doit être réalisée uniquement par du personnel spécialement qualifié.

Avant de démarrer la pompe après une absence d'utilisation prolongée ou lors du redémarrage au printemps, on conseille de tourner l'arbre du moteur, avec la pompe éteinte et la pompe pleine d'eau, au moyen d'un ventilateur de moteur à l'aide d'un tournevis. Cela libérera le joint de l'arbre et facilitera le démarrage de la pompe.

8.2 Pièces de remplacement

Les pièces de remplacement doivent se conformer aux exigences techniques spécifiées par le fabricant. C'est toujours garanti quand on utilise des pièces de remplacement originales. Nous n'offrons une garantie que pour les pièces de remplacement que nous fournissons. Nous n'acceptons aucune responsabilité en cas de dommage provoqué par l'utilisation de pièces de remplacement ou accessoires non autorisés.

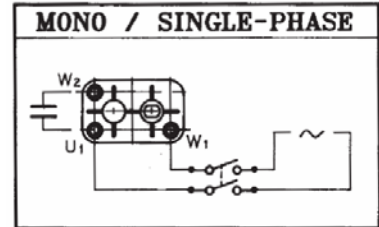
9. Elimination



Garantir une élimination sûre et respectueuse de l'environnement du produit qui répond aux réglementations nationales applicables.

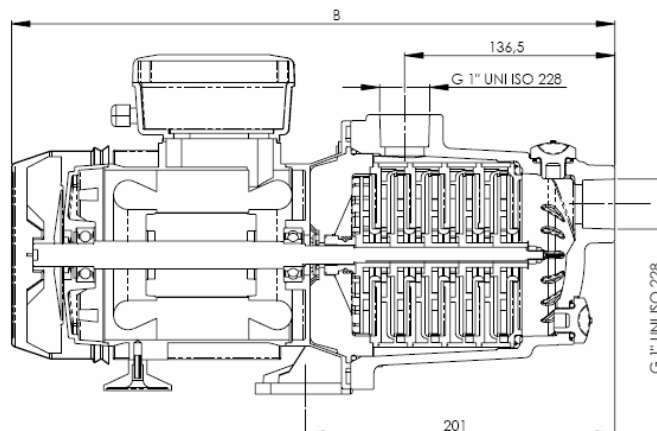
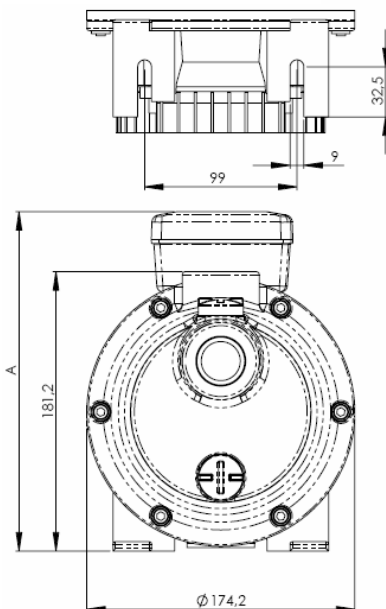
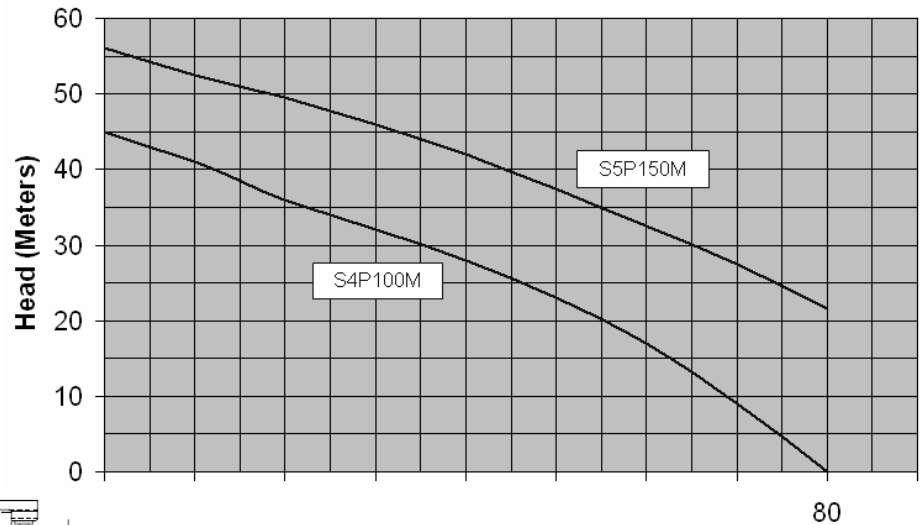


Only for EU countries
Do not dispose of electric tools together with household waste material!
In observance of European Directive 2002/96/EC on waste electrical and electronic equipment and its implementation in accordance with national law, electric tools that have reached the end of their life must be collected separately and returned to an environmentally compatible recycling facility.



10. Données techniques

Température ambiante max.....	50C	Catégorie d'isolation.....	F
Température max. de l'eau.....	50C	Tours par minute (tpm.....)	2850
Teneur maximale en sel dans l'eau.....	0,4%	Niveau max. de bruit.....	75dB(A)
Gamme de pH.....	4-9	Tension (s).....	220-240V
Température max. de fonctionnement.....	6 bar	Phase (s).....	Mono uniquement
Type de protection.....	IP44	Filetage entrée/sortie.....	1" BSP



MODEL	A	B
S4P100M	185	370
S5P150M	190	385

Contenido

1.	Introducción.....	Página 17
2.	Seguridad.....	Página 17
3.	Uso adecuado.....	Página 19
4.	Transporte/Preparación para el	Página 19
5.	Instalación.....	Página 20
6.	Funcionamiento.....	Página 22
7.	Resolución de problemas.....	Página 22
8.	Mantenimiento/Reparación.....	Página 22
9.	Eliminación.....	Página 22
10.	Datos técnicos.....	Página 23
11.	Piezas de repuesto.....	Página 45

1. Introducción

1.1 Instrucciones del cliente

Estas instrucciones de funcionamiento contienen información importante sobre el uso correcto, seguro y económico de la bomba. El cumplimiento estricto de las instrucciones de funcionamiento ayudará a evitar peligros, reducir costes de reparación y tiempos de inactividad e incrementará la fiabilidad y el tiempo de funcionamiento del producto.

Las personas que realicen cualquier instalación o trabajen con el producto deben leer y seguir las instrucciones de funcionamiento, especialmente la sección sobre las instrucciones de Seguridad. Estas instrucciones deben estar a disposición del personal de mantenimiento y seguridad en todo momento. Mantenga siempre una copia de estas instrucciones para asegurar el uso y mantenimiento adecuado del producto.

Antes de iniciar el funcionamiento o cualquier trabajo de reparación, lea en primer lugar la sección pertinente que aplique.

En caso de duda, póngase en contacto con el fabricante. Además de estas instrucciones de funcionamiento, también se cumplirán las regulaciones legales de prevención de accidentes vigentes en el país de uso y en el punto de instalación. Se deben seguir en todo momento las indicaciones del especialista aceptado y las directrices de seguridad y uso adecuado.

1.2 Grupos objetivo

Definiciones: a) En su calidad de persona responsable legalmente, el **operador** es responsable del uso correcto del producto y de la formación y el uso de las personas autorizadas. Define las responsabilidades vinculantes y la autoridad de las personas autorizadas para proporcionar instrucciones.

b) **Especialistas** son personas que, basándose en su formación profesional, habilidades y experiencia, están capacitados para evaluar el trabajo en cuestión y reconocer cualquier posible peligro. También son conscientes de las condiciones aplicables. Estas personas sólo deben ser especialistas con la formación adecuada u otras personas que, en opinión del operador, posean las habilidades necesarias.

c) **Personas formadas** son individuos que han sido formados o instruidos en las tareas requeridas y los peligros que resultan de las acciones incorrectas. También deben haber sido formados sobre los dispositivos de seguridad necesarios y las medidas de precaución a adoptar. El personal que reciba la formación sólo puede trabajar bajo la supervisión continua de una persona experimentada.

La instalación, desmontaje, mantenimiento o reparación sólo puede ser realizado por un especialista formado correctamente.

El resto del trabajo sobre el producto puede ser desarrollado por personal formado.

Todas las responsabilidades deben definirse y delimitarse cuidadosamente. Se debe cumplir la edad mínima especificada legalmente.

1.3 Responsabilidad y garantía

Toda la información e instrucciones sobre la operación y mantenimiento se ofrecen de acuerdo con nuestro mejor conocimiento y sobre la base de la experiencia pasada. Estas instrucciones de funcionamiento se han elaborado con gran cuidado y atención. Por favor, no dude en informarnos por escrito si detectara algún error u omisión. Sus sugerencias de mejora nos ayudarán a generar instrucciones de funcionamiento más útiles para el usuario.

1.4 Copyright

Todos los derechos reservados. No se permite la duplicación o revelación a terceros, de ninguna manera, sin la autorización previa por escrito.

2. Seguridad

El conocimiento profundo de las instrucciones de seguridad básicas es un requerimiento esencial para el uso seguro y el funcionamiento adecuado de este producto. Deben seguirse en todo momento las regulaciones legales de prevención de accidentes vigentes en el punto de instalación, así como las instrucciones del especialista aceptado, las normas técnicas para la seguridad y las prácticas de trabajo adecuadas.

2.1 Pictogramas

En estas instrucciones de funcionamiento se usan las siguientes designaciones y símbolos de peligro.



Este símbolo indica un posible peligro de heridas personales graves o mortales.



Atención

Este símbolo indica un posible peligro de daños materiales o para el medioambiente.



Elimine el embalaje de forma adecuada y correcta. Deben observarse las regulaciones nacionales.



Advertencia de tensión eléctrica peligrosa.

Si no se siguen de las instrucciones de seguridad, pueden producirse graves efectos adversos sobre la salud, o incluso heridas graves o mortales. El incumplimiento de las instrucciones de seguridad invalidará en todos los casos la garantía y la responsabilidad por parte del fabricante.

El incumplimiento de las instrucciones de seguridad puede provocar los siguientes peligros:

- Fallo de funciones importantes de la piscina y/o otro equipo.
- Fallo de las medidas de mantenimiento prescritas
- Peligro para personas debido a efectos eléctricos, mecánicos o químicos
- Peligro para el medioambiente debido a la fuga de materiales peligrosos
- Daños en el equipo y la construcción

2.2 Requerimientos de seguridad básicos

Las bombas cumplen los requerimientos básicos de seguridad y salud de la UE. No obstante, aún pueden producirse situaciones peligrosas.

Las bombas sólo deben ser utilizadas y operadas cuando se encuentren en condiciones de funcionamiento adecuadas y de acuerdo con estas instrucciones. Debe rectificarse inmediatamente cualquier fallo que pudiera afectar a la seguridad.

- Para garantizar la seguridad, todas las personas que entren en contacto con el producto deben ser conscientes del contenido de estas instrucciones de funcionamiento. Sólo de esta forma se pueden reducir al mínimo los riesgos.

- No se debe usar el producto para ningún otro propósito distinto al especificado por el fabricante. Esto puede provocar riesgos imprevisibles.
- Se deben cumplir en todo momento las regulaciones y leyes laborales y de seguridad locales. Lo mismo aplica a las regulaciones medioambientales.
- Si se identificaran fallos o peligros, el personal deberá informar al operador o a su representante de inmediato.
- Los dispositivos de seguridad nunca se deben quitar o eludir durante el funcionamiento normal del producto.
- Si los dispositivos de seguridad han sido retirados o desmontados durante el el trabajo de mantenimiento o reparación, deben volver a ser equipados y **probados** inmediatamente después de finalizar el trabajo de mantenimiento o reparación.
- El trabajo sobre el equipo técnico (por ejemplo, eléctrico) sólo debe ser realizado por personal cualificado y especializado.
- Tenga especial cuidado cuando trabaje con motores eléctricos. Se calientan durante el funcionamiento. Deje que el motor se enfríe antes de iniciar el trabajo de reparación. Si no fuera posible, adopte las medidas de precaución adecuadas, por ejemplo, vestir guantes de protección.
- El personal que reciba la formación sólo puede trabajar sobre las bombas bajo la supervisión continua de una persona experimentada.
- Se deben mantener todas las instrucciones y advertencias de seguridad en un estado perfectamente legible en todo momento.
- No se debe permitir que los componentes que se calientan entren en contacto con explosivos o productos químicos altamente inflamables.

2.3 Dispositivos y regulaciones de seguridad

Esta sección describe todos los dispositivos de seguridad del producto:



Atención

Todos los dispositivos de seguridad deben mantenerse en buen estado de funcionamiento en todo momento.

2.3.1 Dispositivos de protección

Los dispositivos de protección sólo pueden ser retirados o desactivados por personas debidamente autorizadas, y sólo cuando resulte absolutamente necesario para la realización de trabajos específicos. Los dispositivos de protección deben ser reactivados y probados inmediatamente.

2.3.2 Otros componentes y regulaciones de seguridad

El trabajo sobre los componentes eléctricos debe ser realizado por un electricista cualificado de acuerdo con las prácticas técnicas aceptadas.

Deben cumplirse en todo momento las instrucciones de funcionamiento que facilite el fabricante del motor (si son aplicables).

El equipo eléctrico de la bomba debe ser inspeccionado y verificado regularmente. Los fallos, como conexiones sueltas o cables dañados, deben ser corregidos inmediatamente.

3. Uso correcto

El producto se diseña para bombear agua limpia o ligeramente turbia en aplicaciones para piscinas. Si existen otros medios o aplicaciones involucrados, debe comentar con el fabricante la especificación de uso exacta.

El producto sólo debe emplearse tal y como se especifica en estas instrucciones. Cualquier otra forma de uso constituye un uso incorrecto. En este caso, el fabricante no acepta ninguna responsabilidad por cualquier daño resultante.

El producto se ha diseñado y construido con la tecnología más reciente, y es completamente seguro y fiable si se utiliza de acuerdo con estas instrucciones de funcionamiento y cualquier otro sistema específico o requerimientos de funcionamiento.

No obstante, su uso aún puede dar lugar a peligro para la vida y las extremidades del operador u otras personas, o dañar el producto u otro equipo.

En ciertos caso pueden realizarse modificaciones al producto. En tales casos, debe obtenerse la autorización previa por escrito del fabricante.

El fabricante no acepta ninguna responsabilidad en los siguientes casos:

- Incumplimiento de la información de estas instrucciones de funcionamiento
- Uso de piezas de repuesto o componentes no aprobados por el fabricante
- Funcionamiento incorrecto
- Retirada, modificación o desactivación de los dispositivos de seguridad

- Realización de trabajo de mantenimiento inadecuado

3.1 Uso incorrecto

El producto puede provocar riesgos si se utiliza de forma incorrecta o para un uso distinto al pretendido.

Bajo ninguna circunstancia debe usar la bomba para fluidos agresivos, inflamables, tóxicos u otras soluciones inapropiadas.

Está prohibido utilizar las bombas de esta serie si hay personas en la piscina.

4. Transporte/Preparación para el invierno

La entrega completa debe ser comprobada inmediatamente después de su recepción para verificar que esté completa y si existe algún posible daño debido al transporte. Sólo se aceptarán las reclamaciones si se informa de ellas al transportista o fabricante el día de la recepción.

4.1 Desembalaje

Los materiales de embalaje deben ser reutilizados si es posible, o deben ser eliminados en cumplimiento de las regulaciones locales.

4.2 Almacenamiento – Preparación para el invierno



Atención

Debe evitarse el almacenamiento intermedio prolongado en un entorno con elevada humedad en el aire y temperaturas cambiantes. La condensación puede dañar el bobinado del motor y otras piezas metálicas. Esto invalidará la garantía.



Atención

La bomba también puede dañarse si se expone a las heladas. Esto también invalidará la garantía. No se debe usar un anticongelante, debido a que puede provocar daños en las piezas de plástico.

La bomba debe ser drenada en profundidad en caso de riesgo de heladas. Para hacerlo, abra el tapón de drenaje y deje que el agua se drene fuera de la bomba. Ponga también la bomba boca abajo para drenar cualquier agua adicional almacenada en el puerto de descarga de la bomba. El sistema de conducciones también debe vaciarse de agua por completo.

Compruebe las conexiones de las tuberías de agua cuando reinstale la bomba después del invierno o de periodos de almacenamiento prolongados. Abra las válvulas de cierre en las líneas de aspiración y presión. Cierre todas las válvulas de drenaje en el sistema y en la bomba. Arranque la bomba de acuerdo con las instrucciones que se facilitan en la sección **Instalación** de este manual.

5. Instalación

Esta sección describe el procedimiento de instalación y arranque de la bomba. Describe cómo se debe realizar el trabajo y las características que requieren atención especial.

- La instalación y el arranque de la bomba sólo puede ser realizado por personal debidamente autorizado.

5.1 General

Preferiblemente, la bomba debería ser instalada sobre una superficie de cemento y atornillada en su lugar mediante los orificios de la base. La bomba debe instalarse en un lugar seco. Si la bomba se instala en un lugar húmedo, debe garantizarse una ventilación adecuada para evitar la condensación. Debe garantizarse siempre una ventilación adecuada para permitir el funcionamiento correcto del motor.

Debe permitirse suficiente espacio para la instalación y mantenimiento de la bomba. Tenga en cuenta las dimensiones de la bomba y permita un espacio libre de al menos 25 cm alrededor de la unidad.

La bomba debería instalarse tan cerca como sea posible de la piscina para obtener un rendimiento máximo. Asegúrese de que la instalación cumple las regulaciones locales de instalación.

Utilice tuberías cortas y rectas siempre que sea posible para evitar pérdidas debidas a la fricción.

5.2 Alimentación

La red de alimentación debe reunir las siguientes características:

- Poseer protección diferencial.

- Poseer valores de tensión y de frecuencia correspondientes a aquellos indicados en la placa de datos del motor de la máquina.
- Disponer de potencia erogable no inferior al valor indicado en la placa de datos del motor de la máquina.
- Poseer un contactor con protección térmica adecuada.
- Poseer un relé térmico regulado en base a la corriente real absorbida.
- Poseer un interruptor seccionador con fusibles de protección
- Poseer cables de sección suficiente para la corriente absorbida del motor.

5.3 Instalación



Peligro

Todas las operaciones relativas a la instalación tienen que ser efectuadas con la electrobomba desconectada de la red de alimentación.



Atención

No instalar la máquina en locales donde hay presencia de gases y/o materiales inflamables o explosivos.



Peligro

Las electrobombas han sido proyectadas de manera tal que todas sus partes en movimiento estén protegidas y por lo tanto resulten inofensivas. Por lo tanto no usar la electrobomba sin dichas protecciones o con las mismas dañadas: pueden ocasionar graves daños a las personas.



Peligro

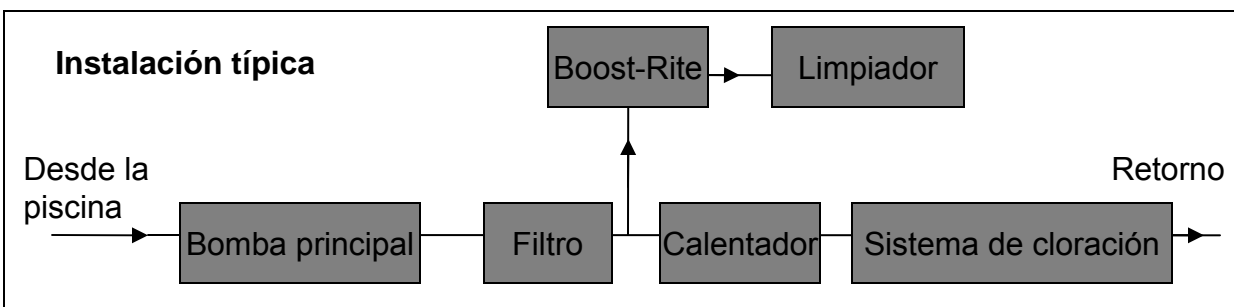
La línea de alimentación de la máquina tiene que poseer siempre un interruptor

5.4 Conexiones de las conducciones

Debe extremarse el cuidado para evitar fugas después de de la instalación de las conexiones

Si las tuberías de entrada y salida se conectan directamente ea la bomba, use sólo cinta de sellado de Teflon para garantizar un sellado correcto.

Si se usan accesorios roscados, no deben ser sellados con compuestos de sellado. Selle los accesorios roscados con la ayuda de una junta tórica y apretando con la mano.

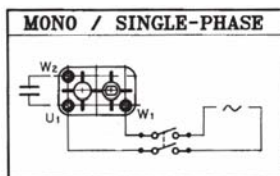


Las conexiones roscadas de entrada y salida de la bomba se equipan con topes de rosca. El accesorio de conexión no puede ser forzado más allá de este punto.

NO apriete en exceso los puntos de conexión. Menos de dos giros realizados con la mano deberían ser suficientes.

Cuando sea posible, la instalación de las tuberías debería iniciarse en la bomba para evitar tensiones en el alojamiento de la bomba. Deben evitarse las bolsas de aire instalando la línea de aspiración con una ligera inclinación hacia la bomba. Debería instalarse una tubería recta de al menos 50 cm hacia la conexión de aspiración.

5.5 Sistema eléctrico Conexiones



Debe ser realizado por un Electricista certificado. Debe instalarse un separador en el sistema eléctrico que permita la desconexión del suministro de alimentación con un espacio de apertura de contacto para cada polo de al menos 3 mm. El fabricante no acepta ninguna responsabilidad por los daños en el motor que puedan evitarse mediante la instalación de un interruptor de protección externo. Use los datos eléctricos que aparecen en la placa de identificación del motor para cualquier dimensionamiento del sistema eléctrico. De lo contrario, todas las reclamaciones de la garantía serán nulas en caso de daños en el motor y/o la bomba.



El producto debe tener la toma tierra conectada

5.6 Conexión con la red eléctrica



Peligro

Antes de quitar la tapa de la caja de bornes del motor y antes de cualquier intervención en la máquina, verificar que la línea de alimentación de corriente esté desactivada.



Peligro

Es necesario verificar que el equipo de alimentación eléctrica posea un interruptor diferencial de alta sensibilidad = 30 mA (EN 61008 -1 / EN 61009 - 1).



Peligro

Es responsabilidad del instalador verificar que el equipo de alimentación eléctrica posea una eficiente toma a tierra según las normas vigentes.

Para conectar la máquina a la red eléctrica, seguir las siguientes operaciones:

- Verificar que el motor corresponda a la tensión y a la frecuencia de la red.
- Seccionar el equipo eléctrico mediante el interruptor seccionador.
- Asegurarse de usar cables homologados de acuerdo con las normativas vigentes con tres conductores de sección (2 + tierra) de al menos 0,75 mm² con una longitud máxima del cable de 2 m. Si la longitud del cable es superior la sección de los conductores deberá aumentarse adecuadamente de acuerdo con las normativas vigentes.
- Como conductor de conexión es necesario utilizar:
 - al aire libre → cable H07RN-F
 - en espacios interiores → cable H05RN-F o H07RN-F.
- Para la temperatura ambiente entre 40° y 50°C se deberán utilizar cables de alimentación con características.
- Desenroscar los tornillos que fijan la tapa de la caja de bornes.
- Introducir el cable de alimentación en la prensa del cable.
- Conectar las fases y la toma a tierra de los bornes.
- Volver a posicionar la tapa de la caja de bornes con la guarnición.
- Ajustar los tornillos que fijan la tapa de la caja de bornes.
- Las electrobombas monofasicas poseen una proteccion termoamperimetrica con rearme automatico incorporada.

En caso de intervención de esta protección por sobrecalentamiento, desconectar la alimentación y dejar enfriar el motor hasta que vuelva a las temperaturas admisibles. Antes de volver a utilizar la bomba, comprobar la causa del sobrecalentamiento del motor.

6. Operación

6.1 Preparación para la operación

Nunca permita que la bomba funcione en seco (sin agua). Esto dañará la junta del eje rotatorio y los componentes de plástico internos.

6.2 Arranque de la bomba

En una aplicación de tipo aspiración inundada (bomba por debajo del nivel del agua o en línea con la bomba principal), la bomba arranca tan pronto como se abren las válvulas de cierre en la admisión.

En aplicaciones no inundadas, la bomba debe estar cebada añadiendo agua dentro de la tubería de aspiración y la cavidad de la bomba.

La bomba comienza a funcionar al encenderla. La duración de la acción de aspiración depende de la altura de aspiración y la longitud de la línea de aspiración.

Si la bomba no funciona, compruebe que todas las válvulas de cierre estén abiertas y que no existen fugas en la línea de aspiración por las

7. Resolución de problemas

La bomba no se cebará:

- Agua insuficiente en la carcasa de la bomba
- La bomba principal no proporciona agua
- Válvula de entrada cerrada
- Fuga de aire en la línea de aspiración

El motor no funciona:

- La alimentación no está activada
- El disyuntor se ha disparado
- La bomba está apagada por un circuito programado
- La conexión del motor es incorrecta
- El rotor está bloqueado por residuos

Cuadal bajo - Presión alta en el filtro:

- El filtro está sucio
- Restricción en la línea de retorno

Cuadal bajo - Presión baja en el filtro:

- La conducción de entrada está bloqueada
- El rotor está bloqueado por residuos
- Fuga de aire en la línea de aspiración
- La rotación del motor es incorrecta

Bomba ruidosa:

- Fuga de aire en la línea de aspiración
- Residuos en las líneas de tuberías o en el alojamiento de la bomba
- El diámetro de la línea de aspiración es demasiado pequeño
- Instalación incorrecta de la bomba
- Cavitación (restricción de agua)

Calentamiento del motor:

- Ventilación insuficiente del motor
- El tamaño del cableado es demasiado pequeño

8. Mantenimiento

El mantenimiento, limpieza e inspección regular de las bombas es extremadamente importante. Esto reducirá los problemas e incrementará la seguridad y fiabilidad del funcionamiento.

8.1 Mantenimiento

El mantenimiento del producto sólo debería ser realizado por personal cualificado específicamente.

Antes de arrancar la bomba después de un periodo de inactividad prolongado o al volver a arrancarla en primavera, se recomienda girar el eje del motor, con la bomba desconectada y llena de agua, mediante el ventilador del motor, con el uso de un destornillador. Esto liberará el sello del eje y facilitará el arranque del motor.

8.2 Piezas de repuesto

Las piezas de repuesto deben satisfacer los requerimientos técnicos especificados por el fabricante. Esto se garantiza siempre que se emplean piezas de repuesto originales. Únicamente ofrecemos una garantía para las piezas de repuesto originales que suministramos. No aceptamos responsabilidad alguna en el caso de daños debidos al uso de piezas de repuesto o accesorios no autorizados.

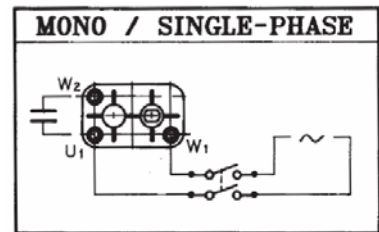
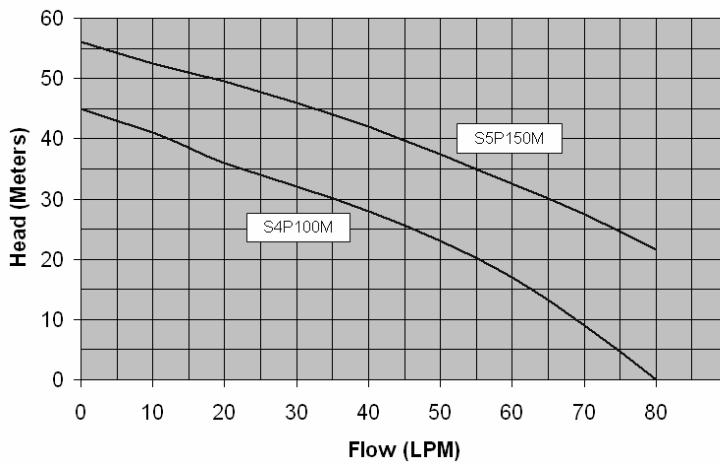
9. Eliminación

Asegúrese de eliminar el producto en cumplimiento de las regulaciones nacionales aplicables en materia de seguridad y medioambiente.

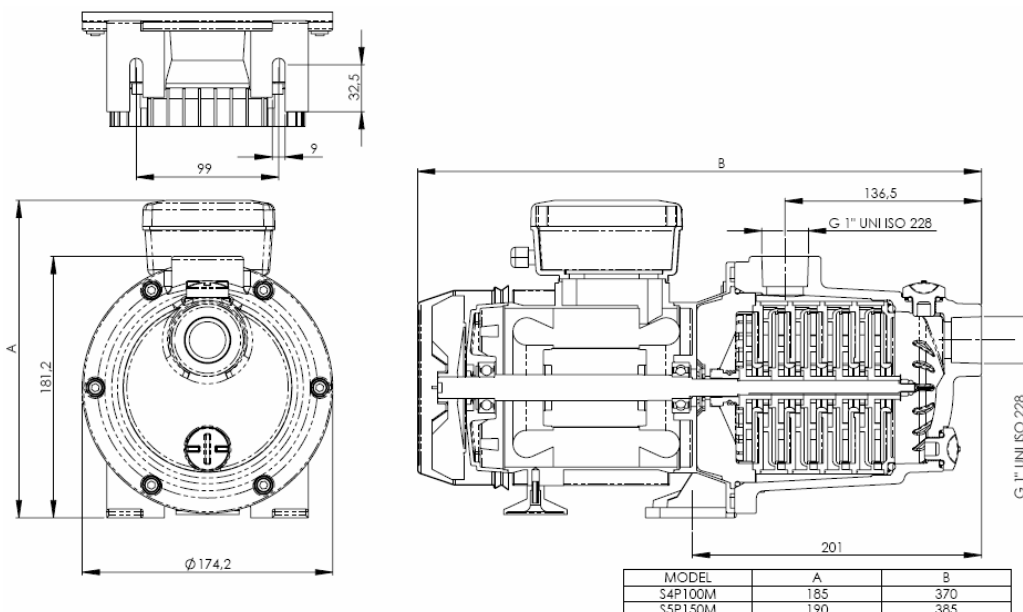


Only for EU countries
Do not dispose of electric tools together with household waste material!
In observance of European Directive 2002/96/EC on waste electrical and electronic equipment and its implementation in accordance with national law, electric tools that have reached the end of their life must be collected separately and returned to an environmentally compatible recycling facility.

10. Datos técnicos



Temperatura ambiente máx.....	50C
Temperatura del agua máx.....	50C
Máx. contenido de sal en agua.....	0,4%
Rango del pH.....	4-9
Presión de funcionamiento máx.....	6 Bar
Tipo de protección.....	IP44
Clase de aislamiento.....	F
Revoluciones por minuto (RPM).....	2850
Nivel de ruido máx.....	75dB(A)
Tensiones.....	220-240V
Fases.....	Sólo mono
Roscado de entrada/salida.....	1" BSP



Inhalt

1.	Einleitung.....	Seite 24
2.	Sicherheit.....	Seite 24
3.	Ordnungsgemäßer Gebrauch.....	Seite 26
4.	Transport/Überwintern.....	Seite 26
5.	Installation.....	Seite 27
6.	Betrieb.....	Seite 29
7.	Problembehebung.....	Seite 29
8.	Wartung/Reparatur.....	Seite 29
9.	Entsorgung.....	Seite 29
10.	Technische Daten.....	Seite 30
11.	Ersatzteile.....	Seite 45

1. Einleitung

1.1 Kundenanweisungen

Diese Bedienungsanleitung enthält wichtige Informationen über die Sicherheit und den ordnungsgemäßen und wirtschaftlichen Gebrauch der Pumpe. Die strikte Befolgung der Bedienungsanleitung trägt dazu bei, Gefahren zu verhindern, Reparaturkosten und Stillstandzeiten zu reduzieren und die Zuverlässigkeit und Lebensdauer des Produkts zu erhöhen.

Die Betriebsanleitung muss durch alle Personen, die Installationen oder Arbeiten am Produkt durchführen, gelesen und befolgt werden, insbesondere der Abschnitt mit Sicherheitsanweisungen. Diese Anweisungen müssen dem Wartungs- und Reparaturpersonal jederzeit zur Verfügung stehen. Bewahren Sie stets eine Kopie dieser Anleitung, um den richtigen Gebrauch und die richtige Wartung des Produkts zu sichern.

Lesen Sie vor Betriebsbeginn oder Reparaturarbeiten erst den entsprechenden Abschnitt.

Im Zweifelsfall den Hersteller kontaktieren. Zusätzlich zu den Betriebsanweisungen müssen auch die zum Installationszeitpunkt im Einsatzland geltenden gesetzlichen Vorschriften zur Unfallverhütung beachtet werden. Die anerkannten fachlichen und technischen Richtlinien für eine sichere und ordnungsgemäße Arbeit müssen jederzeit befolgt werden.

1.2 Zielgruppen

Definitionen:

a) Als gesetzlich zuständige Person ist die **Betriebsperson** für die ordnungsgemäße Verwendung des Produkts und für Schulung und Einsatz autorisierter Personen verantwortlich. Sie definiert die bindenden Verantwortlichkeiten und die Weisungsbefugnis autorisierter Personen.

b) **Fachkräfte** werden als Personen definiert, die auf der Grundlage ihrer beruflichen Ausbildung, Fertigkeiten und Erfahrung die anstehende Arbeit beurteilen und mögliche Gefahren erkennen können. Sie sind sich auch der geltenden Bedingungen bewusst. Es dürfen nur ordnungsgemäß ausgebildete Fachkräfte oder andere Personen sein, die der Meinung der Bedienperson zufolge die erforderlichen Fertigkeiten besitzen.

c) **Geschulte Personen** sind Personen, die zu den erforderlichen Aufgaben und den möglichen Gefahren durch Fehlhandlungen geschult oder eingewiesen worden sind. Sie müssen auch über die notwendigen Sicherheitsvorkehrungen und zu ergreifenden Vorsichtsmaßnahmen belehrt worden sein. Personen, die sich in Schulung oder Einarbeitung befinden, dürfen nur unter der andauernden Überwachung einer erfahrenen Person arbeiten.

Installations-, Demontage-, Wartungs- oder Reparaturarbeiten dürfen nur durch ordnungsgemäß ausgebildete Fachkräfte vorgenommen werden.

Alle anderen Arbeiten am Produkt dürfen durch geschulte Personen ausgeführt werden.

Alle Zuständigkeiten müssen eindeutig definiert und abgegrenzt sein. Das gesetzlich festgelegte Mindestalter muss beachtet werden.

1.3 Haftbarkeit und Garantie

Alle Informationen und Anweisungen zu Betrieb und Wartung werden nach unserem besten Wissen und auf der Grundlage vergangener Erfahrung erteilt. Diese Bedienungsanleitung ist mit großer Sorgfalt und Aufmerksamkeit erstellt worden. Sollte sich herausstellen, dass sie Fehler enthält oder lückenhaft ist, bitte informieren Sie uns schriftlich. Ihre Verbesserungsvorschläge werden und dabei helfen, eine benutzerfreundliche Bedienungsanleitung zu erstellen.

1.4 Copyright

Alle Rechte vorbehalten. Eine Vervielfältigung oder Offenlegung in jeglicher Form an Dritte ist ohne vorherige schriftliche Zustimmung nicht gestattet.

2. Sicherheit

Eine gründliche Kenntnis der grundlegenden Sicherheitsanweisungen ist eine wesentliche Anforderung für den sicheren Gebrauch und problemlosen Betrieb dieses Produkts. Die zum Installationszeitpunkt geltenden gesetzlichen Unfallverhütungsvorschriften und die anerkannten fachlichen und technischen Regeln für eine sichere und ordnungsgemäße Arbeit müssen auch jederzeit befolgt werden.

2.1 Piktogramme

In dieser Betriebsanleitung werden folgende Bezeichnungen und Gefahrensymbole verwendet.



Dieses Symbol zeigt eine mögliche Gefahr schwerer oder tödlicher Körperverletzungen an.



Achtung

Dieses Symbol zeigt eine mögliche Gefahr von Sach- oder Umweltschäden an.



Entsorgen Sie die Verpackung fachgerecht und sicher. Nationale Vorschriften müssen beachtet werden.



Warnung vor gefährlicher elektrischer Spannung

Eine Nichtbeachtung der Sicherheitsanweisungen kann zu schweren negativen Auswirkungen auf die Gesundheit oder sogar zu schweren oder tödlichen Verletzungen führen. Eine Nichtbeachtung der Sicherheitsanweisungen macht in jedem Fall alle Garantien und Haftbarkeiten des Herstellers ungültig.

Eine Nichtbefolgung der Sicherheitsanweisungen kann zu folgenden Gefahren führen:

- Ausfall wichtiger Funktionen des Swimmingpools und/oder weiterer Ausrüstungsgegenstände
- Versagen der vorgeschriebenen Wartungsmaßnahmen
- Gefährdung von Personen durch elektrische, mechanische oder chemische Wirkungen
- Gefährdung der Umwelt durch Leckage gefährlicher Materialien
- Beschädigung der Ausrüstung und Bauarbeiten

2.2 Grundlegende Sicherheitsanforderungen

Die Pumpe erfüllt die grundlegenden Gesundheits- und Sicherheitsanforderungen der EU. Gefährliche Situationen lassen sich jedoch nicht ausschließen.

Die Pumpen dürfen nur in gutem Betriebszustand und in Einklang mit dieser Bedienungsanleitung verwendet und betrieben werden. Alle Fehler, welche die Sicherheit beeinträchtigen könnten, müssen sofort behoben werden.

- Um Sicherheit zu gewährleisten, müssen alle Personen, die in Kontakt mit dem Produkt kommen, den Inhalt dieser Bedienungsanleitung kennen. Nur so können die auftretenden Risiken auf ein Minimum reduziert werden.

- Das Produkt darf zu keinem anderen Zweck als dem durch den Hersteller spezifizierten verwendet werden. Ansonsten können unvorhersehbare Risiken auftreten.
- Die lokalen Arbeits- und Sicherheitsvorschriften und -gesetze müssen jederzeit befolgt werden. Dies gilt auch für Umweltregelungen.
- Wenn Fehler oder Gefahren entdeckt werden, muss das Personal die Bedienperson oder ihren Vertreter unverzüglich in Kenntnis setzen.
- Während des normalen Betriebs des Produkts dürfen die Sicherheitsvorrichtungen nie entfernt oder umgangen werden.
- Wenn bei Wartungs- oder Reparaturarbeiten Sicherheitsvorrichtungen entfernt oder demontiert werden müssen, müssen sie sofort bei Fertigstellung der Wartungs- oder Reparaturarbeiten wieder eingebaut und **getestet** werden.
- Arbeiten an der technischen Ausstattung (z. B. Elektrik) dürfen nur durch qualifizierte Fachkräfte vorgenommen werden.
- Bei der Arbeit mit Elektromotoren ist besondere Vorsicht geboten. Sie werden während des Betriebs heiß. Den Motor abkühlen lassen, bevor Sie mit den Reparaturarbeiten beginnen. Wenn das nicht möglich ist, ergreifen Sie geeignete Vorsichtsmaßnahmen, z. B. Schutzhandschuhe tragen.
- Personen, die sich in Schulung oder Einarbeitung befinden, dürfen an der Pumpe nur unter der andauernden Überwachung einer erfahrenen Person arbeiten.
- Alle Sicherheitsanweisungen und Warnungen auf dem Produkt müssen jederzeit in deutlich lesbarem Zustand gehalten werden.
- Heiße Teile dürfen nicht mit explosiven oder leicht entzündbaren Chemikalien in Kontakt kommen.

2.3 Sicherheitsvorrichtungen und -vorschriften

Dieser Abschnitt beschreibt alle Sicherheitsvorrichtungen des Produkts:



Achtung

Alle Sicherheitsvorrichtungen müssen jederzeit in gutem Betriebszustand gehalten werden.

2.3.1 Schutzvorrichtungen

Schutzvorrichtungen dürfen nur durch geeignete autorisierte Personen entfernt oder deaktiviert werden und nur, wenn dies absolut notwendig für die Ausführung spezifischer Arbeiten ist. Die Schutzvorrichtungen müssen sofort danach reaktiviert und geprüft werden.

2.3.2 Weitere Sicherheitskomponenten und -vorschriften

Arbeiten an elektrischen Komponenten dürfen nur durch einen qualifizierten Elektriker in Einklang mit anerkannten technischen Praktiken durchgeführt werden.

Die durch den Motorhersteller gelieferte Bedienungsanleitung (falls anwendbar) muss stets befolgt werden.

Die elektrische Ausrüstung der Pumpe muss regelmäßig inspiziert und überprüft werden. Fehler wie lose Anschlüsse oder beschädigte Kabel müssen sofort behoben werden.

3. Ordnungsgemäßer

Das Produkt ist für das Pumpen sauberen oder leicht trüben Wassers in Swimmingpool-Anwendungen konstruiert. Im Falle anderer Medien oder Anwendungen müssen die genauen Spezifikationen für den Gebrauch mit dem Hersteller abgesprochen werden.

Das Produkt darf nur wie in dieser Anleitung beschrieben verwendet werden. Jede andere Gebrauchsform stellt einen unsachgemäßen Gebrauch dar. In diesem Fall lehnt der Hersteller jegliche Haftung für sich daraus ergebende Schäden ab.

Das Produkt wurde nach dem neuesten Stand der Technik entworfen und konstruiert und ist völlig sicher und zuverlässig, wenn es in Einklang mit dieser Bedienungsanleitung und weiteren spezifischen System- oder Betriebsanforderungen verwendet wird.

Dennoch kann sein Gebrauch Leben und körperliche Unversehrtheit der Bedienperson oder anderer Personen gefährden oder das Produkt oder andere Ausrüstungen beschädigen.

Änderungen des Produkts sind in gewissen Fällen möglich. In diesen Fällen muss die vorherige schriftliche Zustimmung des Herstellers eingeholt werden.

Der Hersteller lehnt in folgenden Fällen die Verantwortung ab:

- Nichtbeachtung der Informationen in dieser Bedienungsanleitung
- Verwendung von nicht durch den Hersteller genehmigten Ersatzteilen oder Komponenten
- Fehlerhafter Betrieb
- Entfernung, Änderung oder Deaktivierung von Sicherheitsvorrichtungen

- Unsachgemäße Ausführung der Wartungsarbeiten
- Unsachgemäßer Gebrauch

3.1 Unsachgemäßer Gebrauch

Dieses Produkt kann Gefahren verursachen, wenn es unsachgemäß oder nicht für seinen beabsichtigten Zweck verwendet wird.

Unter keinen Umständen darf die Pumpe für aggressive Flüssigkeiten, entzündbare Flüssigkeiten, giftige Flüssigkeiten oder sonstige nicht zugelassene Lösungen verwendet werden.

Benutzen Sie nicht die Pumpe, wenn Leute im Swimmingpool sind.

4. Transport/Überwintern

Die gesamte Lieferung ist sofort bei der Ankunft auf Vollständigkeit und eventuelle Transportschäden zu prüfen. Reklamationen werden nur akzeptiert, wenn sie dem Spediteur oder Hersteller am Tag der Lieferung gemeldet werden.

4.1 Auspacken

Die Verpackungsmaterialien sollten, wenn möglich, wiederverwendet werden oder entsprechend den lokalen Vorschriften entsorgt werden.

4.2 Lagerung - Überwintern



Achtung

Eine längere Zwischenlagerung in einer Umgebung mit hoher Luftfeuchtigkeit und Temperaturänderungen ist zu vermeiden. Kondensation kann die Motorspulen und sonstige Metallteile beschädigen. Dadurch wird die Garantie unwirksam.



Achtung

Die Pumpe kann auch beschädigt werden, wenn sie Frost ausgesetzt wird. Auch dadurch wird die Garantie unwirksam. Es darf kein Gefrierschutzmittel verwendet werden, weil das die Kunststoffteile beschädigen kann.

Bei Frostrisiko ist die Pumpe gründlich zu entleeren. Hierzu den Ablassstopfen öffnen und das Wasser aus der Pumpe fließen lassen. Die Pumpe auch auf den Kopf stellen, um zusätzliches Wasser aus der Drucköffnung der Pumpe ablaufen zu lassen. Das Rohrleitungssystem ist auch vollständig von Wasser zu leeren.

Alle Wasserleitungsanschlüsse prüfen, wenn Sie die Pumpe nach dem Winter oder längeren Lagerungszeiträumen wieder installieren. Die Sperrventile in der Saug- und der Druckleitung öffnen. Alle Entwässerungsventile im System und an der Pumpe schließen. Die Pumpe in Einklang mit den im Abschnitt **Installation** dieses Handbuches erteilten Anweisungen starten.

5. Installation

Dieser Abschnitt beschreibt das Verfahren für Installation und Start der Pumpe. Er beschreibt, wie die Arbeiten ausgeführt werden müssen und welche Merkmale besondere Aufmerksamkeit erfordern.

- Installation und Start der Pumpe dürfen nur durch geeignetes zugelassenes Personal ausgeführt werden.

5.1 Allgemeines

Die Pumpe sollte bevorzugt auf einer Betonoberfläche installiert werden und unter Verwendung der Löcher der Basis festgeschraubt werden. Die Pumpe muss an einem trockenen Ort installiert werden. Wenn die Pumpe an einem feuchten Ort installiert wird, muss für eine angemessene Belüftung gesorgt werden, um Kondensbildung vorzubeugen. Um einen ordnungsgemäßen Betrieb des Motors zu ermöglichen, muss stets für eine angemessene Belüftung gesorgt werden.

Für die Installation und Wartung der Pumpe sollte genug Raum gelassen werden. Beachten Sie die Abmessungen der Pumpe und lassen Sie um das Gerät herum mindestens 25 cm frei.

Für eine maximale Leistung sollte die Pumpe so nahe wie möglich am Pool angebracht werden. Dafür sorgen, dass die Installation die lokalen Vorschriften für eine ordnungsgemäße Installation erfüllt.

Nach Möglichkeit sind kurze, gerade Rohre zu verwenden, um Reibungsverluste zu vermeiden.

5.2 Stromversorgung

Das elektrische Stromnetz muß die folgenden Eigenschaften aufweisen:

- mit einem Differentialschutz ausgerüstet sein

- Die Spannungs- und Frequenzwerte müssen mit den Werten übereinstimmen, die auf dem Datenschild des Gerätemotors angegeben sind
- Die abgegebene Leistung darf nicht niedriger sein, als der auf dem Maschinenmotor angegebene Wert.
- Ein Schütz mit geeignetem Thermoschutz besitzen.
- Ein selbstausgleichendes und in Abhängigkeit von der tatsächlichen Stromaufnahme reguliertes Thermorelais besitzen.
- Einen Trennschalter mit Schutzsicherungen besitzen.
- Ausreichend Trennkabel für die Stromaufnahme des Motors besitzen.

5.3 Installation



Gefahr

Bei allen Installationsarbeiten muß die Elektropumpe vom Stromnetz getrennt sein.



Achtung

Das Gerät nicht an einem Ort installieren, an dem Gas und/oder entflammbare oder explosive Materialien vorhanden sind.



Gefahr

Die Elektropumpen wurden so konstruiert, daß alle sich bewegenden Teile aufgrund Schutzabdeckungen ungefährlich sind. Die Elektropumpe nicht verwenden, falls diese Schutzabdeckungen entfernt oder beschädigt wurden: es können schwere Personenschäden entstehen.



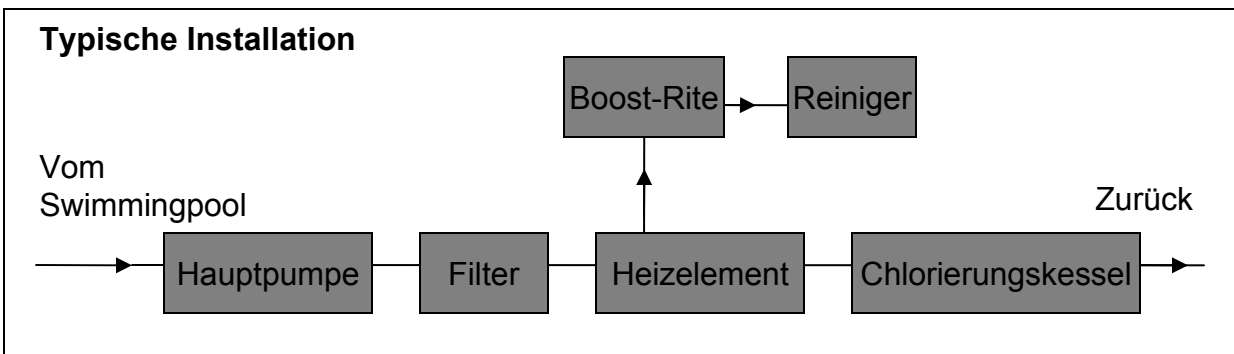
Gefahr

An der Zuleitung des Geräts muß immer ein automatischer Differentialschalter eingeschaltet sein.

5.4 Installationsanschlüsse

Es ist darauf zu achten, sicherzustellen, dass durch die Installation der Anschlüsse keine Lecks auftreten. Wenn das Saug- und das Druckrohr direkt an die Pumpe angeschlossen sind, nur Dichtungsband aus Teflon verwenden, um eine gute Abdichtung sicherzustellen.

Wenn Schraubverbindungen verwendet werden, dürfen sie nicht durch Dichtmasse abgedichtet werden. Schraubverbindungen werden mithilfe eines O-Rings abgedichtet und brauchen nur von Hand angezogen zu werden.

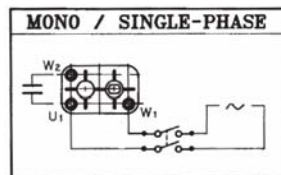


Die Gewindeanschlüsse des Zu- und Auslaufs der Pumpe sind mit einem Gewindestopp ausgerüstet. Die Anschlussverbindung kann nicht über diesen Punkt hinaus forciert werden.

Anschlusspunkte NICHT überdrehen. Ein Anziehen von Hand und zusätzlich nicht mehr als 2 Umdrehungen sollten ausreichen.

Die Installation der Rohrleitungen sollte an der Pumpe beginnen, um Beanspruchungen des Pumpengehäuses, wenn möglich, zu vermeiden. Lufteinschlüsse können vermieden werden, indem die Saugleitung mit einer leichten Neigung zur Pumpe installiert wird. An den Ansaugstutzen sollte eine gerade, mindestens 50 cm lange Leitung montiert werden.

5.5 Elektrisch Anschlüsse



Dies muss durch einen zertifizierten Elektriker erfolgen. Im elektrischen System muss ein Trennelement mit einer Kontaktöffnung von mindestens 3 mm für jeden Pol installiert werden, das eine Abschaltung vom Netzanschluss ermöglicht. Der Hersteller lehnt jede Haftung für Motorschäden ab, die durch die Installation eines externen Schutzschalters vermieden werden können. Bitte verwenden Sie die elektrischen Daten vom Leistungsschild des Motors für eine Dimensionierung des elektrischen Systems. Ansonsten sind alle Garantieansprüche im Fall einer Beschädigung des Motors und/oder der Pumpe ungültig.



Das Gerät muss geerdet sein.

5.5 Anschluß an die elektrische Anlage



Gefahr

Es ist Aufgabe des Installateurs, sicherzustellen, daß die elektrische Anlage den geltenden Vorschriften gemäß geerdet ist.



Gefahr

Es ist sicherzustellen, daß die elektrische Anlage mit einem hochsensiblen Differentialschalter $I_{\Delta n} = 30 \text{ mA}$ (EN 61008-1 / EN 61009-1) ausgerüstet ist.



Gefahr

Vor der Entfernung des Klemmbrettdeckels am Motor und vor allen Arbeiten am Gerät sicherstellen, daß die Stromversorgung ausgeschaltet wurde.

Für den Anschluss des Gerätes an die elektrische Anlage ist folgendermaßen vorzugehen:

- Überprüfen, ob der Motor für die Netzspannung und – frequenz geeignet ist.
- Die Stromversorgung mit dem Trennschalter ausschalten.
- Gebruik kabels die goedgekeurd zijn volgens de geldende normen, met drie geleiders (2+aarding) met een doorsnede van minstens 0,75 mm² bij een maximale kabellengte van 2 mtr. Als de kabel langer is moet de doorsnede van de geleiders vergroot worden op een geschikte wijze die overeenstemt met de geldende normen.
- Als Anschlußleitung sind die folgenden Kabel zu benutzen:
 - im Freien → Kabel H07RN-F.
 - in geschlossenen Räumen → Kabel H05RN-F oder H07RN-F.
- Bei umgebungstemperaturen von 40° bis 50°C üssen Speisekabel verwendet werden , die Temperaturen von mindestens 95°C widerstehen mit einem Mindestschnitt der Leiter von 1.5 mm²
- Die Schrauben lösen, mit denen der Klemmbrettdeckel befestigt ist.
- Das Speisungskabel in den Kabeldurchgang stecken.
- Phasen- und Erdleiter mit den Klemmen verbinden.
- Den Klemmbrettdeckel mit der Dichtung wieder in die richtige Position bringen.
- Die Schrauben, mit denen der Deckel befestigt wird, festziehen.
- Die Wechselstrompumpen verfügen über einen eingebauten thermo-amperemetrischen Schutz mit automatischer Rückstellung

In geval van interventie door deze veiligheidsvoorziening als gevolg van oververhitting, moet de stroomtoevoer verbroken worden en de motor afkoelen tot deze een acceptabele temperatuur bereikt. Achterhaal de oorzaak van de oververhitting van de motor alvorens de pomp opnieuw te gebruiken.

6. Betrieb

6.1 Vorbereitung für den Betrieb

Nie die Pumpe trocken (ohne Wasser) laufen lassen. Dadurch werden die Wellendichtung und die internen Kunststoffkomponenten beschädigt.

6.2 Start der Pumpe

In einer Anwendung vom Typ überströmten Saugens (Pumpe unter dem Wasserspiegel oder in gerader Linie mit Primärpumpe) startet die Pumpe, sobald die Sperrventile im Einlauf geöffnet werden.

In nicht überströmten Pumpen muss die Pumpe vorgefüllt werden, indem Wasser in die Saugleitung und den Pumpeninnenraum gegeben wird.

Die Pumpe beginnt nach dem Einschalten zu arbeiten. Die Saugwirkungszeit hängt von der Saughöhe und der Länge der Saugleitung ab.

Wenn die Pumpe nicht funktioniert, überprüfen Sie, ob alle Sperrventile offen sind und es keine Lecks in der Saugleitung gibt, wo Luft in die

7. Problembehebung

Die Pumpe lässt sich nicht vorfüllen:

Zu wenig Wasser im Pumpengehäuse

Primärpumpe liefert kein Wasser

Eingangsventil geschlossen

Luftaustritt in der Saugleitung

Der Motor läuft nicht:

Strom ist aus

Stromunterbrecher hat ausgelöst

Pumpe ist aus durch zeitgesteuerten Kreislauf

Motoranschluss ist fehlerhaft

Pumpenrad ist durch Verunreinigungen blockiert

Niedriger Durchfluss - Hoher Filterdruck:

Filter ist schmutzig

Drosselung in Rücklaufleitung



Niedriger Durchfluss - Niedriger Filterdruck:

Einlaufinstallation ist blockiert

Pumpenrad ist durch Verunreinigungen blockiert

Luftaustritt in der Saugleitung

Motordrehung ist fehlerhaft

Laute Pumpe:

Luftaustritt in der Saugleitung

Verunreinigungen in Installationsleitungen oder Pumpengehäuse

Durchmesser der Saugleitung ist zu niedrig

Fehlerhafte Installation der Pumpe

Hohlraumbildung (Drosselung von Wasser)

Aufheizen des Motors:

Unzureichende Lüftung des Motors

Größe der Leitungsführung zu niedrig

8. Wartung

Eine regelmäßige Wartung, Reinigung und Inspektion der Pumpen ist von erheblicher Bedeutung. Dadurch werden Probleme reduziert und die Betriebssicherheit und -zuverlässigkeit erhöht.

8.1 Wartung

Die Wartung des Geräts sollte nur von speziell qualifizierten Personen ausgeführt werden.

Vor dem Start der Pumpe nach längerem Nichtgebrauch oder wenn sie im Frühling neu gestartet wird, wird empfohlen, die Motorwelle bei angeschalteter, mit Wasser gefüllter Pumpe durch den Motorventilator unter Verwendung eines Schraubenziehers zu drehen. Dadurch wird die Wellendichtung freigegeben, was den Start der Pumpe erleichtert.

8.2 Ersatzteile

Ersatzteile müssen mit den durch den Hersteller spezifizierten technischen Anforderungen konform sein. Dies ist bei der Verwendung von Originalersatzteilen stets garantiert. Wir bieten nur eine Garantie für durch uns gelieferte Originalersatzteile. Wir lehnen im Fall von Schäden, die durch die Verwendung nicht zugelassener Ersatz- oder Zubehörteile verursacht wurden, jede Haftung oder Garantie ab.

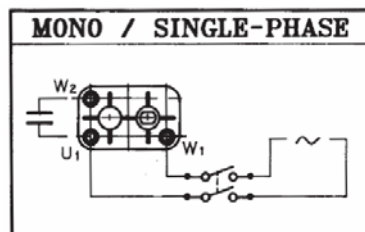
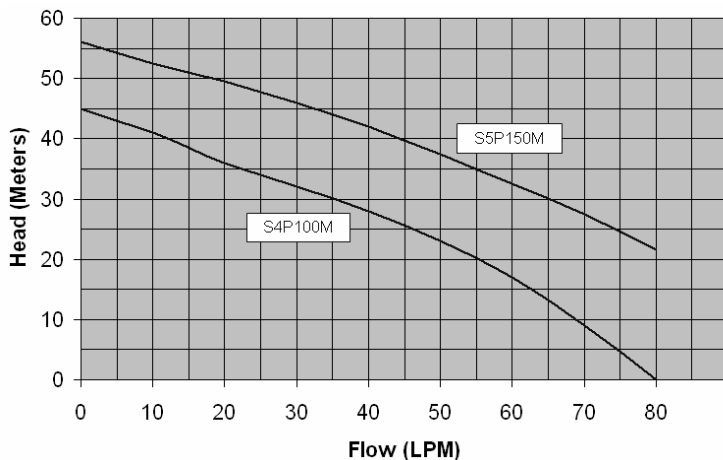
9. Entsorgung

Sorgen Sie für eine sichere und umweltfreundliche Entsorgung des Produkts im Einklang mit den nationalen Vorschriften.

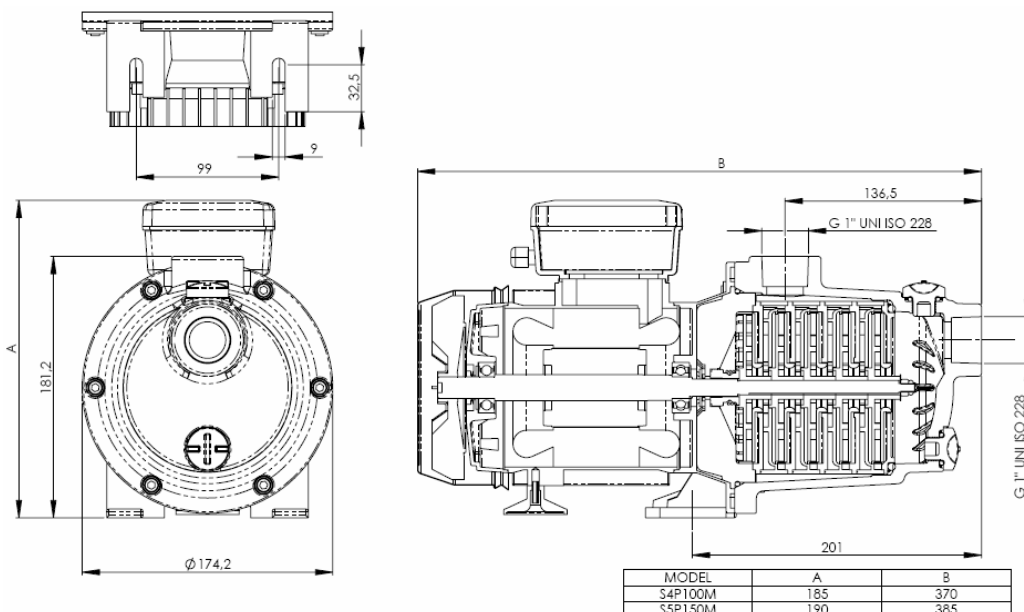


Only for EU countries
Do not dispose of electric tools together with household waste material
In observance of European Directive 2002/96/EC on waste electrical and electronic equipment and its implementation in accordance with national law, electric tools that have reached the end of their life must be collected separately and returned to an environmentally compatible recycling facility.

10. Technische Daten



Max. Umgebungstemperatur.....	50°C
Max. Wassertemperatur.....	50°C
Max. Salzgehalt im Wasser.....	0,4%
pH-Bereich.....	4-9
Max. Arbeitsdruck.....	6 Bar
Schutzart.....	IP44
Isolationsklasse.....	F
Umdrehungen pro Minute (UpM)....	2850
Max. Geräuschpegel.....	75 dB (A)
Spannung(en).....	220-240 V
Phase(n).....	Nur Mono
Einlauf-/Auslaufgewinde.....	1" BSP



Contenuto

1.	Introduzione.....	Pag.31
2.	Sicurezza.....	Pag.31
3.	Uso corretto.....	Pag.33
4.	Trasporto/Non utilizzo.....	Pag.33
5.	Installazione.....	Pag.34
6.	Funzionamento.....	Pag.36
7.	Risoluzione dei problemi.....	Pag.36
8.	Manutenzione/Riparazione.....	Pag.36
9.	Eliminazione.....	Pag.36
10.	Dati tecnici.....	Pag.37
11.	Parti di ricambio.....	Pag.45

1. Introduzione

1.1 Istruzioni per il Cliente

Queste istruzioni d'uso forniscono importanti informazioni sulla sicurezza e su un uso corretto ed economico della pompa. La loro applicazione previene eventuali pericoli, riduce i costi di riparazione e i tempi di inoperatività della pompa e ne aumenta l'affidabilità e la durata.

Chi opera a qualsiasi titolo (installazione o lavoro) sul prodotto deve leggere e seguire le istruzioni, ed in particolare quelle relative alla sicurezza. Le istruzioni devono essere a disposizione di chi è incaricato della manutenzione e della riparazione del prodotto, in qualsiasi momento. Conservare una copia delle istruzioni per un corretto uso e per la manutenzione del prodotto.

Prima di procedere all'uso del prodotto o alla sua riparazione, leggere con attenzione le relative istruzioni.

In caso di dubbio contattare il produttore. Seguire le istruzioni per l'uso e i regolamenti antinfortunistici in vigore nel paese in cui si usa e si installa il prodotto. Devono essere osservate in ogni momento le indicazioni tecniche e specialistiche per l'uso corretto e sicuro del prodotto.

1.2 Gruppi di riferimento

Definizioni:

a) Quale persona legalmente responsabile, l'**operatore** risponde del corretto uso del prodotto e della formazione all'uso del personale autorizzato e definisce le responsabilità e le istruzioni vincolanti per gli addetti ai lavori.

b) **Specialisti**: personale che, sulla base della formazione professionale maturata, capacità ed esperienza è in grado di valutare il lavoro svolto e di identificare eventuali pericoli, oltre a conoscere le relative condizioni. Questo gruppo comprende esclusivamente specialisti addestrati o altro personale che, a giudizio dell'operatore, possiede le capacità richieste.

c) **Personale addestrato**: personale formato per i compiti richiesti e a conoscenza dei possibili pericoli in caso di azioni non conformi. Deve conoscere le precauzioni e i dispositivi di sicurezza. Il personale che segue una formazione o cui vengano impartite istruzioni deve essere costantemente supervisionato da persona di comprovata esperienza.

Le operazioni di installazione, disinstallazione, manutenzione o riparazione devono essere eseguite esclusivamente da specialisti addestrati.

Tutte le altre operazioni effettuate sul prodotto possono essere eseguite da personale addestrato.

Tutte le responsabilità devono essere definite chiaramente e deve esserne specificato l'ambito di applicazione. Devono essere osservate le leggi in vigore sulla maggiore età.

1.3 Responsabilità e garanzia

Tutte le informazioni e le istruzioni relative all'uso ed alla manutenzione sono fornite nella loro completezza e sulla base dell'esperienza pregressa. Queste istruzioni d'uso sono state compilate con estrema cura ed attenzione. Ove si riscontrassero errori od omissioni, informare in forma scritta il produttore. I suggerimenti saranno utilizzati per produrre istruzioni per l'uso sempre più chiare e complete.

1.4 Diritti

Tutti i diritti sono riservati. La copia o la trasmissione a parti terze, in qualsiasi forma, è vietata in assenza di previo consenso scritto.

2. Sicurezza

La perfetta conoscenza delle istruzioni di sicurezza di base è un requisito fondamentale per un uso sicuro e corretto. Devono essere rispettate, in qualsiasi momento, le leggi in materia di sicurezza sul lavoro in vigore nel luogo di installazione, nonché i regolamenti relativi alle specifiche tecniche per l'uso corretto e sicuro del prodotto.

2.1 Pittogrammi

Le indicazioni e i simboli di pericolo qui indicati sono quelli utilizzati in queste istruzioni d'uso.



Possibile pericolo di ferite gravi o fatali per le persone.



Possibile pericolo o danni ai materiali o all'ambiente.

Attention



Smaltire correttamente e in sicurezza i contenitori. Rispettare le leggi nazionali in vigore.



Voltaggio elettrico pericoloso.

Il mancato rispetto delle istruzioni di sicurezza può produrre gravi conseguenze per la salute, ferite gravi o anche mortali. Il mancato rispetto delle istruzioni di sicurezza rende prive di effetto, in qualsiasi caso, tutte le responsabilità del produttore.

Il mancato rispetto delle istruzioni di sicurezza può causare i pericoli di seguito indicati:

- Non funzionamento di dispositivi importanti della piscina e/o di altri dispositivi
- Impossibilità di procedere alla manutenzione
- Pericolo per le persone derivato da effetti elettrici, meccanici o chimici
- Pericolo ambientale per fuoriuscita di materiali pericolosi
- Danni agli strumenti e al sito di costruzione

2.2 Misure di sicurezza fondamentali

Le pompe rispettano le disposizioni di base in materia di salute e di sicurezza dell'UE. Possono comunque verificarsi situazioni di pericolo. Le pompe devono essere utilizzate esclusivamente in condizioni operative adeguate e ai sensi di quanto indicato in queste istruzioni. Le situazioni che possono ridurre il livello di sicurezza devono essere immediatamente rettificate.

- Per motivi di sicurezza, chiunque entri in contatto con il prodotto deve conoscere il contenuto di queste istruzioni. Solo così possono essere ridotti al minimo gli eventuali rischi.

- Utilizzare il prodotto solo per la destinazione d'uso indicata dal produttore. Usi diversi possono produrre rischi imprevisti.
- Le leggi ed i regolamenti nazionali in vigore in materia di sicurezza devono essere rispettati. Lo stesso si applica per le leggi in materia ambientale.
- Se si riscontrano difetti o pericoli, il personale deve informarne, immediatamente, l'operatore o un suo rappresentante.
- Le strumentazioni di sicurezza non devono mai essere rimosse o disattivate nel normale uso del prodotto.
- Ove sia necessario rimuovere o smantellare le strumentazioni di sicurezza per manutenzione o riparazione, queste devono essere reinstallate e **verificate** immediatamente dopo la fine della manutenzione o della riparazione.
- Il lavoro eseguito su parti tecniche (ad es., elettriche) deve essere svolto solo da personale qualificato e specializzato.
- Porre particolare attenzione quando si lavora su motori elettrici. I motori elettrici, nel corso dell'uso, sviluppano alte temperature. Prima di procedere alle riparazioni far raffreddare il motore e, se non è possibile, adottare misure di sicurezza adeguate (ad es., guanti protettivi).
- Il personale addestrato o istruito all'uso deve lavorare sulle pompe solo con la supervisione continua di una persona di comprovata esperienza.
- Tutte le istruzioni e gli avvisi di sicurezza del prodotto devono essere sempre ben leggibili.
- Le parti calde non devono mai venire a contatto con materiali esplosivi o con prodotti chimici altamente infiammabili.

2.3 Dispositivi e regole di sicurezza

Questa sezione descrive tutti i dispositivi di sicurezza del prodotto:



Attention

Le strumentazioni di sicurezza devono essere sempre perfettamente operanti.

2.3.1 Dispositivi di protezione

I dispositivi di protezione possono essere rimossi o disattivati solo da personale preparato ed autorizzato, e solo quando sia indispensabile per l'esecuzione di una specifica operazione. I dispositivi di sicurezza devono essere immediatamente riattivati e verificati

2.3.2 Altri componenti e regole di sicurezza

Il lavoro su parti elettriche deve essere eseguito da elettricisti qualificati con tecniche di lavoro accettate.

Le istruzioni d'uso fornite dal produttore del motore (ove applicabile) devono essere sempre rispettate.

La parte elettrica della pompa deve essere ispezionata e controllata ad intervalli regolari. Difetti quali connessioni non salde o cavi danneggiati devono essere immediatamente corretti.

- Cattiva manutenzione
- Uso improprio

3.1 Uso improprio

Il prodotto, ove utilizzato non correttamente o per il suo reale uso, può creare pericolo.

La pompa non deve, in alcuna circostanza, essere utilizzata per fluidi aggressivi, per fluidi infiammabili, per fluidi tossici o per altre soluzioni non approvate.

Non utilizzare la pompa in presenza di persone in piscina.

3. Proper Use

Il prodotto è progettato per il pompaggio di acqua limpida o leggermente impura per piscine. In caso di uso con altri mezzi o applicazioni, deve essere discusso con il produttore il relativo uso specifico.

Il prodotto deve essere utilizzato solo per gli scopi indicati in queste istruzioni. Una qualsiasi altra forma rientra nell'uso improprio. In questo caso il produttore è sollevato da qualsiasi responsabilità in caso di danneggiamento.

Il prodotto è stato progettato ed assemblato secondo le tecnologie più avanzate ed è del tutto sicuro ed affidabile se utilizzato secondo queste istruzioni d'uso, altro sistema o requisiti di funzionamento.

Tuttavia, l'uso può condurre comunque a pericolo per la vita o per gli arti dell'operatore o di altra persona, o danni al prodotto o altra strumentazione.

In taluni casi sono possibili modifiche al prodotto. In questi casi deve essere chiesto al produttore il previo consenso scritto.

Il produttore non accetta responsabilità nei seguenti casi:

- Mancato rispetto delle informazioni contenute in queste istruzioni d'uso
- Uso di parti di ricambio o di componenti non approvati dal produttore
- Uso improprio
- Rimozione, modifica o disattivazione delle strumentazioni di sicurezza

4. Trasporto/Inattività

Il prodotto consegnato deve essere controllato all'arrivo per rilevare eventuali mancanze o danni da trasporto. Saranno accettati solo reclami fatti al vettore o al produttore il giorno della consegna.

4.1 Apertura degli involucri

Gli involucri devono, se possibile, essere riutilizzati o eliminati ai sensi delle leggi nazionali in vigore.

4.2 Conservazione – Inattività



Pericolo

Deve essere evitata la conservazione prolungata in ambiente con alto tasso di umidità e temperature variabili. La condensa può danneggiare le parti del motore ed altri componenti metallici. In questo caso la garanzia si considera decaduta.



Pericolo

La pompa può essere danneggiata anche se esposta al gelo, caso in cui la garanzia decade. Non utilizzare anticongelanti, poiché possono danneggiare le parti in plastica.

In caso di possibili gelate la pompa deve essere completamente svuotata dei liquidi. Per farlo, aprire il punto di drenaggio e far uscire l'acqua dalla pompa. È consigliabile, inoltre, rovesciare la pompa per far fuoriuscire eventuale acqua in eccesso dal punto di scarico della pompa. Deve essere svuotato completamente dall'acqua anche il sistema di tubi.

Al momento della reinstallazione della pompa dopo l'inverno o periodi prolungati di inattività, controllare le connessioni della pompa. Aprire le valvole delle linee di aspirazione e di pressione. Chiudere tutte le valvole di drenaggio del sistema e della pompa. Avviare la pompa secondo quanto indicato nella sezione **Installazione** di questo manuale.

5. Installazione

Questa sezione descrive la procedura di installazione e di avvio della pompa. Descrive la corretta procedura operativa e deve essere letta con particolare attenzione.

- L'installazione e l'avvio della pompa devono essere effettuate solo da personale autorizzato.

5.1 Installazione - Generale

La pompa dovrebbe essere installata su una superficie di cemento ed avvitata utilizzando i fori presenti sulla base. La pompa deve essere installata in un luogo asciutto. Ove sia installata in luogo umido deve prevedersi adeguata ventilazione per prevenire la formazione di condensa. Per il corretto funzionamento del motore è indispensabile una ventilazione adeguata.

Deve prevedersi uno spazio sufficiente per l'installazione e la manutenzione della pompa. Si osservino le dimensioni della pompa e prevedere, intorno ad essa, almeno 25 cm. di spazio.

La pompa deve essere installata il più vicino possibile alla piscina perché possa funzionare al massimo delle prestazioni. Eseguire l'installazione ai sensi delle leggi in vigore.

Usare di preferenza tubi corti e dritti per evitare perdite dovute a frizione.

5.2 Alimentazione

La rete di alimentazione elettrica deve avere le seguenti caratteristiche:

- Presentare una protezione differenziale.
- Avere valori di tensione e frequenza corrispondenti ai valori indicati sulla targhetta dati del motore della macchina.
- Disporre di potenza erogabile non inferiore al valore indicato sulla targhetta dati del motore della macchina.

- Presentare un teleruttore con protezione termica adeguata.
- Presentare un relè termico autocompensato e regolato in base alla corrente reale assorbita.
- Presentare un interruttore sezionatore con fusibili di protezione.
- Avere cavi di sezione sufficiente per la corrente assorbita dal motore.

5.3 Istallazione



Pericolo



Attenzione



Pericolo



Pericolo

Tutte le operazioni relative all'installazione devono essere effettuate con l'elettropompa scollegata dalla rete di alimentazione.

Non installare l'elettropompa in locali dove sono presenti gas e/o materiali infiammabili od esplosivi.

Le elettropompe sono progettate in modo tale che tutte le parti in movimento sono rese inoffensive tramite l'uso di protezioni. Non usare l'elettropompa con tali protezioni rimosse o danneggiate: possono causare gravi danni alle persone.

Sulla linea di alimentazione dell'elettropompa deve sempre essere inserito un interruttore automatico differenziale.

5.4 Connessioni dei tubi

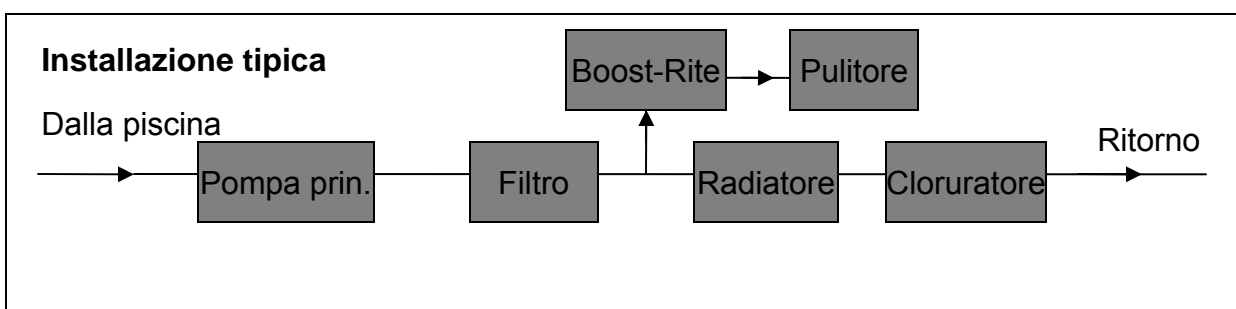
Assicurarsi che, dopo l'installazione delle connessioni, non vi sia alcuna perdita

Se i tubi di entrata ed uscita sono collegati direttamente alla pompa, utilizzare esclusivamente nastro sigillante Teflon per avere il massimo della tenuta.

Se si utilizzano viti non sigillarle con composti sigillanti. Le viti si sigillano con un anello ad O e non devono essere troppo strette.

Le connessioni in entrata ed in uscita della pompa sono dotate di uno stop. Non forzare i collegamenti oltre quel punto.

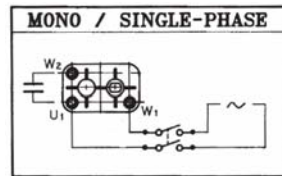
NON stringere troppo i punti di connessione. Girare a mano e per non più di due giri completi. Questo dovrebbe bastare per assicurare la tenuta.



L'installazione dei tubi deve avere origine dalla pompa per evitare stress all'alloggio della pompa, se possibile. Gli accumuli d'aria possono essere evitati installando la linea di aspirazione leggermente inclinata verso la pompa. Alla connessione di aspirazione dovrebbe essere collegato un tubo dritto di almeno 50 cm. di lunghezza.

5.5 Collegamenti

elettrici



I collegamenti elettrici devono essere effettuati da un elettricista autorizzato. Sul sistema elettrico deve essere installato un separatore che permetta lo scollegamento dall'alimentazione dell'acqua con un foro di contatto di almeno 3 mm. per ciascun polo. Il produttore non accetta responsabilità per danni al motore che potrebbero essere evitati con l'installazione di un interruttore esterno di protezione. Per le dimensioni dell'impianto elettrico fare riferimento alla targhetta del motore. In caso contrario tutte le garanzie si considerano decadute in caso di danno al motore e/o alla pompa.



Il prodotto deve essere messo a terra.

5.6 Allacciamento all'Impianto Electrico



Pericolo

Sarà cura dell'installatore accertarsi che l'impianto di alimentazione elettrica sia provvisto di un efficiente impianto di terra secondo le vigenti normative.



Pericolo

Occorre verificare che l'impianto di alimentazione elettrica sia dotato di un interruttore differenziale ad alta sensibilità $I_{\Delta n} = 30 \text{ mA}$ (EN 61008-1 / EN 61009-1).



Pericolo

Prima di rimuovere il coperchio della morsettiera del motore e prima di ogni intervento sulla macchina, accertarsi che la linea di alimentazione sia stata sezionata.

Per allacciare la macchina all'impianto elettrico, eseguire le seguenti operazioni:

- Accertarsi che il motore sia adatto alla tensione di rete.
- Sezionare l'impianto elettrico tramite interruttore sezionatore.
- Accertarsi di utilizzare cavi omologati in accordo alle normative vigenti con tre conduttori di sezione (2+terra) almeno di 0.75 mm² per una lunghezza massima di cavo di 2 mt. Se la lunghezza cavo è maggiore la sezione dei conduttori dovrà essere incrementata in maniera adeguata in accordo alle normative vigenti.
- Come conduttore di allacciamento si dovrà utilizzare:
 - all'aperto → cavo H07RN-F
 - nei vani interni → cavo H05RN-F o H07RN-F.
- Per temperature ambiente da 40° a 50° C utilizzare cavi di alimentazione con caratteristiche di temperatura non inferiore a 95°C e sezione minima dei conduttori di 1.5 mm²
- Svitare le viti che fissano il coperchio della morsettiera.
- Inserire il cavo di alimentazione nel pressacavo.
- Collegare le fasi e la terra ai morsetti.
- Rimettere in posizione il coperchio della morsettiera con la guarnizione.
- Avvitare le viti che fissano il coperchio morsettiera.
- La pompa è dotata di una protezione termoamperometrica a riarmo automatico incorporata nel motore.

In caso di intervento di tale protezione per surriscaldamento scollegare l'alimentazione e lasciare raffreddare il motore fino al suo ritorno alle temperature ammissibili. Prima del riutilizzo della pompa verificare le cause del surriscaldamento del motore.

6. Funzionamento

6.1 Preparazione al funzionamento

Non far girare **mai** la pompa a secco (senza acqua). Questo causa danni all'albero motore e ai componenti interni in plastica.

6.2 Avvio della pompa

In una applicazione di tipo sommerso (pompa sotto il livello dell'acqua o in linea con la pompa principale) la pompa si avvia all'apertura delle valvole poste all'entrata.

In applicazioni non sommerse, la pompa deve essere avviata aggiungendo acqua ai tubi di aspirazione ed alla cavità della pompa.

La pompa inizia a funzionare dopo l'accensione. Il tempo di aspirazione dipende dall'altezza della linea di aspirazione e della sua lunghezza.

Se la pompa non funziona assicurarsi che siano aperte tutte le valvole e che non ci siano perdite nella linea di aspirazione dove potrebbe penetrare aria che impedisce l'accensione.

7. Soluzione di problemi

La pompa non si avvia:

- Acqua insufficiente nell'alloggio della pompa
- La pompa primaria non invia acqua
- Valvola in entrata chiusa
- Perdita d'aria nella linea di aspirazione

Mancato avviamento del motore:

- Non c'è alimentazione
- Interruzione dell'interruttore di circuito
- La pompa viene spenta dal circuito a tempo
- Errati collegamenti del motore
- Rotore bloccato da detriti

Pressione filtro flusso bassa:

- Filtro sporco
- Restrizione nella linea di ritorno

Low Flow – Low Filter Pressure:

- Tubi in entrata bloccati
- Rotore bloccato da detriti
- Perdita d'aria nella linea di aspirazione
- Errata rotazione del motore

Pompa rumorosa:

- Perdita d'aria nella linea di aspirazione
- Detriti nei tubi o nell'alloggio della pompa
- Diametro linea di aspirazione insufficiente
- Errata installazione della pompa
- Cavitazione (restrizione dell'acqua)

Surriscaldamento motore:

- Ventilazione motore insufficiente
- Misura dei fili troppo piccola

8. Manutenzione

È estremamente importante la manutenzione regolare della pompa, la sua pulizia e la sua ispezione. Questo riduce la possibilità di guasti ed aumenta la sicurezza e l'affidabilità operativa della pompa.

8.1 Manutenzione

La manutenzione del prodotto deve essere eseguita esclusivamente da personale qualificato.

Prima di riavviare la pompa dopo un lungo periodo di inattività o quando la si riattiva in primavera è consigliabile far girare l'albero motore della pompa quando questa è spenta e piena d'acqua utilizzando il rotore del motore ed un cacciavite. Questo svincola il sigillo dell'albero motore e di avviare più facilmente la pompa.

8.2 Parti di ricambio

Le parti di ricambio devono essere conformi alle specifiche tecniche del produttore. Questo è garantito in caso di uso di parti di ricambio originali. La nostra garanzia si applica per le parti di ricambio originali che forniamo. Non si accetta responsabilità o garanzia in caso di danni causati dall'uso di parti di ricambio o accessori non autorizzati.

9. Smaltimento

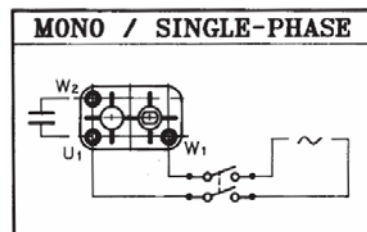
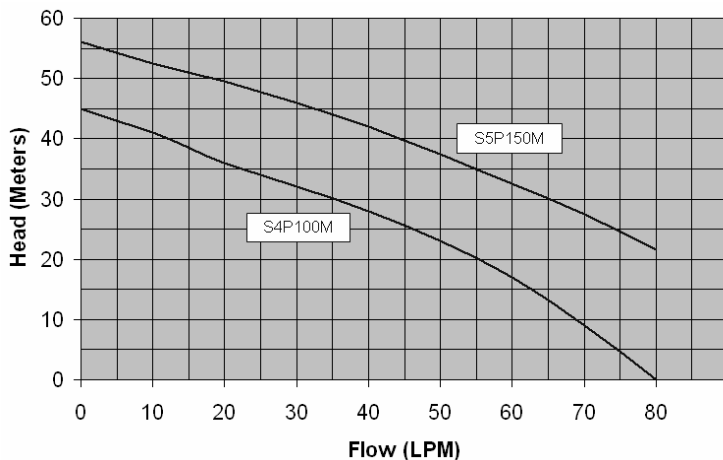


Lo smaltimento del prodotto deve essere sicuro e a norma con le leggi ambientali nazionali.

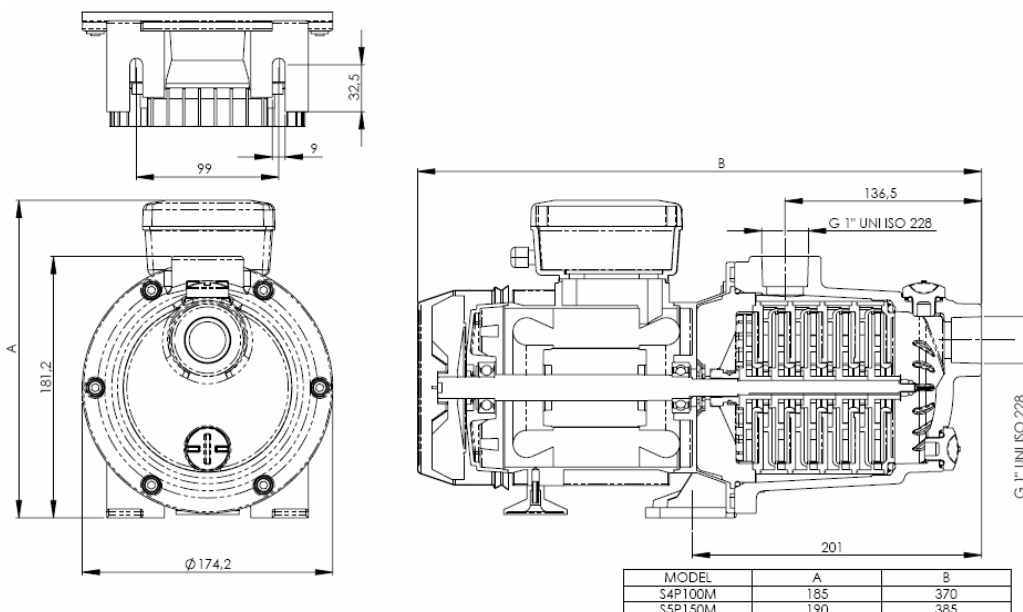


Only for EU countries
Do not dispose of electric tools together with household waste material
In observance of European Directive 2002/96/EC on waste electrical and electronic equipment and its implementation in accordance with national law, electric tools that have reached the end of their life must be collected separately and returned to an environmentally compatible recycling facility.

10. Dati tecnici



Temperatura ambientale max.....	50C
Temperatura max. acqua.....	50C
Contenuto salino max. acqua.....	0,4%
Valori PH.....	4-9
Pressione operativa max.....	6 Bar
Tipo di protezione.....	IP44
Classe di isolamento.....	F
Giri al minuto (G/min.).....	2850
Livello max. rumore.....	75dB(A)
Voltaggio/i.....	220-240V
Fase/i.....	Solo mono
Thread Entrata/Uscita.....	1" BSP



Inhoud

1.	Introductie.....	Pagina 38
2.	Veiligheid.....	Pagina 38
3.	Juist gebruik.....	Pagina 40
4.	Transport/klaarmaken voor de winter..	Pagina 40
5.	Installatie.....	Pagina 41
6.	Bediening.....	Pagina 43
7.	Foutopsporing.....	Pagina 43
8.	Onderhoud/reparatie.....	Pagina 43
9.	Verwijdering.....	Pagina 43
10.	Technische gegevens.....	Pagina 44
11.	Te vervangen onderdelen.....	Pagina 45

1. Introductie

1.1 Klantinstructies

Deze bedieningsvoorschriften bevatten belangrijke informatie over de veiligheid, de correcte bediening en het zuinige gebruik van de pomp. Het goed doorlezen van de bedieningsvoorschriften helpt bij het voorkomen van gevaarlijke situaties, vermindert reparatiekosten en afsluittijd en verhoogt de betrouwbaarheid en de levensduur van het product.

Alle personen die installatiewerkzaamheden verrichten of anderszins aan het product werken zijn verplicht de bedieningsvoorschriften te lezen - in het bijzonder het hoofdstuk over veiligheidsinstructies - en deze op te volgen. Het onderhoudspersoneel en de monteurs moeten te allen tijde de beschikking hebben over deze instructies. Houd altijd een kopie van deze instructies achter de hand om het juiste gebruik en onderhoud van het product te waarborgen.

Lees eerst het relevante hoofdstuk voordat u het product in gebruik neemt of reparaties aan laat uitvoeren.

Neem in geval van twijfel contact op met de fabrikant. Bovendien moeten tijdens de installatie de nationaal geldende wettelijke voorschriften betreffende het voorkomen van ongelukken in acht worden genomen. De erkende specialist en de technische richtlijnen voor veilige en correcte werkomstandigheden moeten te allen tijde worden opgevolgd.

1.2 Doelgroepen

Definities:

a) De **uitvoerder** is wettelijk verantwoordelijk voor het correcte gebruik van het product en voor de scholing en de inzet van bevoegde personen. Hij is de bindende verantwoordelijkheid en instructieautoriteit voor de bevoegde personen.

b) **Specialisten** worden gedefinieerd als personen die op basis van hun professionele training, vaardigheden en ervaring in staat zijn om het uit te voeren werk op zijn waarde in te schatten en eventuele gevaren te herkennen. Zij zijn zich ook bewust van de geschikte omstandigheden. Dit zijn goed getrainde specialisten of andere personen die volgens de uitvoerder over de noodzakelijke vaardigheden beschikken.

c) **Geschoolde personeel** zijn individuen die getraind of geïnstrueerd zijn in of over de vereiste taken en de mogelijke gevaren als gevolg van onjuiste acties. Zij moeten ook instructie hebben ontvangen over de noodzakelijke apparatuur en de te nemen voorzorgsmaatregelen. Personeel dat getraind of geïnstrueerd wordt mag alleen werken onder het constante toezicht van een deskundig persoon.

Installatie-, ontmantelings, onderhouds- en reparatiewerkzaamheden mogen alleen uitgevoerd worden door een specialist die daarvoor de juiste training heeft gevolgd.

Alle andere werkzaamheden aan het product mogen door geschoold personeel worden uitgevoerd.

Alle verantwoordelijkheden moeten duidelijk worden gedefinieerd en afgebakend. De wettelijke bepaalde minimumleeftijd moet in acht worden genomen.

1.3.Aansprakelijkheid en garantie

Alle informatie en instructies betreffende de operatie en het onderhoud worden naar ons beste weten verschaft en op basis van eerder opgedane ervaring. Deze bedieningsvoorschriften zijn met de grootste zorg samengesteld. Mocht u fouten of weglatingen aantreffen, dan verzoeken wij u ons daarvan schriftelijk op de hoogte te stellen. Uw suggesties voor verbetering helpen ons bij het opstellen van gebruiksvriendelijkere bedieningsvoorschriften.

1.4 Copyright

Alle rechten voorbehouden. Niets uit deze uitgave mag worden veelevoudigd of openbaar gemaakt worden aan derden, in welke vorm dan ook, zonder voorafgaande schriftelijke toestemming.

2. Veiligheid

Een grondige kennis van de belangrijkste veiligheidsinstructies is een essentiële voorwaarde voor het veilige gebruik en probleemloze bediening van dit product. Tijdens de installatie prevaleren de wettelijke voorschriften betreffende het voorkomen van ongelukken en de geldende specialistische en technische regels voor veilig en correct werken moeten te allen tijde nagevolgd worden.

2.1 Pictogrammen

Bij deze bedieningsvoorschriften wordt gebruik gemaakt van de volgende aanduidingen en gevarensymbolen.



Dit symbool staat voor mogelijk gevaar op ernstige of dodelijke verwondingen.



Attentie

Dit symbool staat voor mogelijk gevaar op schade aan materialen of omgeving.



Verwijder de verpakking op juiste en veilige wijze. Nationale regelgeving moet in acht worden genomen.



Waarschuwing voor gevaarlijke elektrische spanning

Het niet navolgen van de veiligheidsinstructies kan resulteren in ernstige gezondheidscomplicaties, of zelfs ernstige of dodelijke verwondingen. Het niet navolgen van de veiligheidsinstructies ontslaat de fabrikant van alle verplichtingen op het gebied van garantie en aansprakelijkheid.

Het niet navolgen van de veiligheidsinstructies kan leiden tot de volgende gevaren:

- Ontregeling van belangrijke functies van het zwembad en/of andere apparatuur
- Ontregeling van de aanbevolen onderhoudsmaatregelen
- Gevaar voor personen vanwege elektrische, mechanische of chemische gevolgen
- Gevaar voor de omgeving vanwege het lekken van gevaarlijke stoffen
- Schade aan apparatuur of bouwmaterialen

2.2 Belangrijkste veiligheidseisen

De pompen voldoen aan de minimum voorschriften inzake veiligheid en gezondheid van de EU. Er kunnen zich echter nog wel gevaarlijke situaties voordoen.

De pompen mogen alleen worden gebruikt onder de juiste bedieningsomstandigheden en in overeenstemming met de bedieningsvoorschriften. Ieder gebrek dat mogelijkwijze een gevaar vormt voor de veiligheid, moet onmiddellijk hersteld worden.

- Om de veiligheid te waarborgen moeten alle personen die met het product in contact komen op de hoogte zijn van de inhoud van de bedieningsvoorschriften. Alleen op deze manier kan het risico op ongelukken tot het minimum worden gereduceerd.
- Het product mag niet gebruikt worden voor andere doeleinden dan die gespecificeerd door de fabrikant. Dit kan onvoorziene risico's tot gevolg hebben.
- De plaatselijke werkverordeningen, veiligheidsvoorschriften en regelgevingen moeten te allen tijde in acht worden genomen. Hetzelfde geldt voor de milieuvoorschriften.
- Als er gebreken of gevaren worden aangetroffen, dan dient het personeel de uitvoerder of zijn plaatsvervanger daarvan onmiddellijk op de hoogte te stellen.
- Gedurende de normale werking van het product mogen de veiligheidsvoorzieningen nooit worden verwijderd of getest.
- De voor onderhoud of reparatie verwijderde of ontmantelde veiligheidsvoorzieningen dienen onmiddellijk na voltooiing van deze werkzaamheden weer geïnstalleerd en **getest** te worden.
- Werkzaamheden aan technische uitrusting (bv. elektriciteit) mogen alleen uitgevoerd worden door gekwalificeerd, specialistisch personeel.
- Neem extra voorzorgsmaatregelen voor werken met elektrische motoren. Zij kunnen heet worden tijdens het proces. Laat de motor afkoelen voordat u met de reparatie begint. Als dit niet mogelijk is, neem dan passende voorzorgsmaatregelen (bv. het dragen van beschermende handschoenen).
- Personeel dat getraind of geïnstrueerd wordt mag alleen aan de pompen werken onder het constante toezicht van een deskundig persoon.
- Alle veiligheidsinstructies en waarschuwingen voor het product moeten te allen tijde leesbaar zijn.
- Vermijd het contact tussen hete onderdelen en explosieven of licht ontvlambare chemicaliën.

2.3 Veiligheidsvoorzieningen en voorschriften

Dit hoofdstuk beschrijft alle veiligheidsvoorzieningen van het product:



Attentie

Alle veiligheidsvoorzieningen moeten te allen tijde in goede werkconditie gehouden worden.

2.3.1 Beschermende elementen

De beschermende elementen mogen alleen verwijderd of gedeactiveerd worden door daarvoor bevoegde personen en dan alleen nog indien dit absoluut noodzakelijk is voor de prestatie van het specifieke werk. De beschermende elementen moeten daarna onmiddellijk opnieuw geactiveerd en getest worden.

2.3.2 Overige veiligheidselementen en voorschriften

Werkzaamheden aan elektrische componenten moeten uitgevoerd worden door een daarvoor bevoegde elektromonteur die beschikt over de juiste technische ervaring.

De bedieningsvoorschriften die door de fabrikant van de motor zijn meegeleverd (indien van toepassing) moeten te allen tijde worden nagevolgd.

De elektrische uitrusting van de pomp dient regelmatig te worden geïnspecteerd en gecontroleerd. Gebreken zoals losse aansluitingen of beschadigde kabels moeten onmiddellijk worden gerepareerd.

3. Juist gebruik

Het product is ontworpen voor het pompen van helder of lichtelijk troebel water in zwembaden. In het geval van andere toepassingen dient voor de juiste gebruiksdosering met de fabrikant overlegd te worden.

Het product mag alleen gebruikt worden zoals gespecificeerd in deze instructies. Alle andere vormen van gebruik zijn incorrect. In dat geval is de fabrikant niet aansprakelijk voor de evt. schade die daaruit voortvloeit.

Het product is ontworpen en gefabriceerd volgens de modernste technologie en is totaal veilig en betrouwbaar zolang het gebruikt wordt in overeenstemming met de de bedieningsvoorschriften en evt. andere specifieke systeem- of bedieningseisen.

Desondanks kan het gebruik gevaar opleveren voor het leven en ledematen van de bediener of andere personen, of het product of andere apparatuur beschadigen.

Aanpassingen aan het product zijn slechts in bepaalde situaties mogelijk. In zulke gevallen moet van te voren schriftelijke toestemming verkregen worden van de fabrikant.

De fabrikant accepteert geen verantwoordelijkheid in de volgende gevallen:

- Het in gebreke blijven de informatie van de bedieningsvoorschriften te lezen
- Gebruik van reserveonderdelen of componenten die niet door de fabrikant zijn goedgekeurd
- Onjuiste bediening

- Verwijdering, aanpassing of inactivering van de veiligheidsvoorzieningen
- Onjuist uitgevoerd onderhoudswerk
- Onjuist gebruik

3.1 Onjuist gebruik

Het product kan gevaar opleveren indien onjuist gebruikt, of anders is aangewend dan voor het doel waarvoor het is ontworpen.

Onder geen voorwaarde mag de pomp gebruikt worden voor agressieve vloeistoffen, giftige vloeistoffen of andere niet goedgekeurde oplossingen.

Gebruiken als er mensen in het zwembad zijn.

4. Transport/klaarmaken voor de winter

De complete levering dient bij ontvangst onmiddellijk gecontroleerd te worden of alles aanwezig is en op mogelijke transportschade. Alleen klachten ingediend op de dag van levering zelf bij de verzender of de fabrikant, zullen worden geaccepteerd.

4.1 Uitpakken

De verpakkingsmaterialen zouden, indien mogelijk, moeten worden hergebruikt of worden weggegooid conform de lokale regelgeving.

4.2 Opslag - klaarmaken voor de winter



Attentie

Langdurige tussentijdse opslag in een omgeving met een hoge luchtvochtigheid en grote temperatuurverschillen dient te worden vermeden. Condensatie kan de wikkelingen van de motor en andere metalen onderdelen aantasten. In dit geval vervalt de garantie.



Attentie

De pomp kan ook beschadigd raken indien blootgesteld aan vorst. Ook in dit geval vervalt de garantie. Gebruik geen antivries, omdat dit de plastic onderdelen kan beschadigen.

Bij kans op vorst moet de pomp grondig schoon- en drooggemaakt worden. Open hiervoor de aftapplug en laat het water uit de pomp stromen. Houd de pomp ook ondersteboven zodat het overgebleven water in de afvoerpoort van de pomp wordt verwijderd. Het leidingsysteem moet totaal geleegd worden.

Check alle aansluitingen van de waterleidingen wanneer de pomp na de winter of na langdurige opslag weer geïnstalleerd wordt. Open de afsluitkleppen in de zuig- en drukleidingen. Sluit alle aftapkleppen in het systeem en op de pomp. Start de pomp volgens de instructies in het hoofdstuk **Installatie** van deze handleiding.

5. Installatie

Dit hoofdstuk beschrijft de procedure voor de installatie en het opstarten van de pomp. Hierin wordt beschreven hoe het werk uitgevoerd moet worden en het geeft een overzicht van functies die om speciale aandacht vragen.

- De installatie en het opstarten van de pomp mogen alleen uitgevoerd worden door daarvoor bevoegd personeel.

5.1 Installatie - algemeen

De pomp wordt bij voorkeur gemonteerd op een betonnen ondergrond en d.m.v. de gaten aan de onderzijde vastgeschroefd. Plaats de pomp op een droge locatie. Als de pomp op een vochtige plaats wordt geïnstalleerd, dan is adequate ventilatie nodig om condensvorming tegen te gaan. Voor het goed functioneren van de motor is adequate ventilatie noodzakelijk.

Voor de installatie en het onderhoud van de pomp moet voldoende ruimte vrijgehouden worden. Houd rekening met de afmetingen van de pomp en laat minstens 25 cm ruimte vrij rond de unit.

Voor maximale prestatie moet de pomp zo dicht mogelijk bij het zwembad aangebracht worden. Zorg ervoor dat de installatie voldoet aan de lokale wetgeving inzake de juiste installatie.

Gebruik daar waar mogelijk korte, rechte buizen om wrijvingsverlies te voorkomen.

5.2 Elektrische voeding

Het elektrische voedingsnet moet aan de volgende eisen voldoen:

- Er moet een differentiele beveiliging in zijn opgenomen.
- De waarden van spanning en frequentie moeten overeenkomen met wat op het typeplaatje van de machine staat.
- Het op het typeplaatje van de machine vermelde vermogen moet door het net geleverd mogen worden.
- Er moet een relais met afdoende thermische beveiliging in zijn opgenomen.
- Er moet een zelfgecompenseerd thermisch relais in zijn opgenomen, dat is afgeregeld op grond van de werkelijk opgenomen stroom.
- Er moet een scheidende schakelaar in zijn opgenomen met beveiligende zekeringen.
- De kabels van het net moeten een diameter hebben die voldoende is voor de door de motor opgenomen stroom.

5.3 Installatie



Gevaar

Alle aansluitwerkzaamheden mogen uitsluitend worden uitgevoerd als de machine van het elektrische net is gescheiden.



Opgelet

Installeer de machine niet in ruimten waar brandbare/explosieve materialen of gassen kunnen voorkomen.



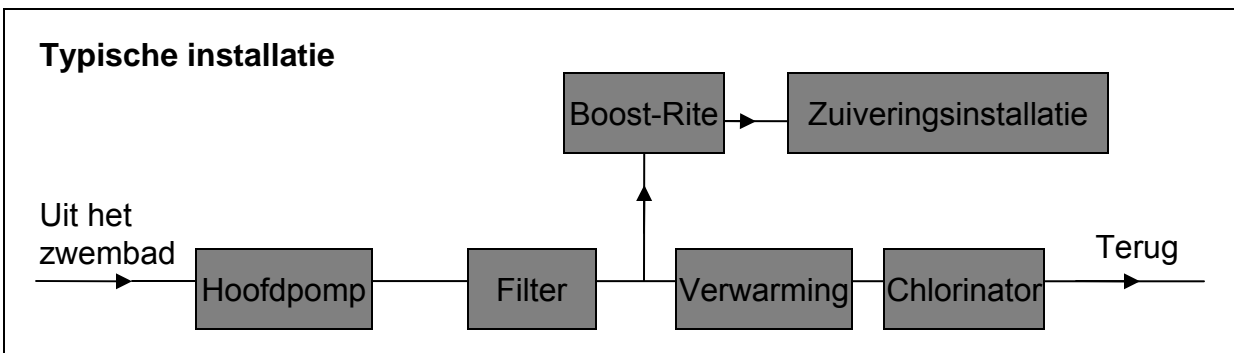
Gevaar

De machine werd ontworpen om door middel van veiligheidsvoorzieningen alle bewegende delen buiten het bereik en dus ongevaarlijk te houden. Verwijder nooit deze veiligheidsvoorzieningen en zorg dat ze nooit beschadigd zijn tijdens het gebruik omdat anders ernstige schade of letsel kan worden veroorzaakt.



Gevaar

In de voedingslijn van de machine moet altijd een automatische differentiele schakelaar zijn opgenomen



5.4 Aansluitingen afvoerbuizen

De installatie van de aansluitingen moet voorzichtig worden uitgevoerd om lekkages te vermijden

Als de inlaat- en de uitlaatbuizen direct aangesloten worden op de pomp, gebruik dan Teflon sealing tape om een goede afdichting te waarborgen.

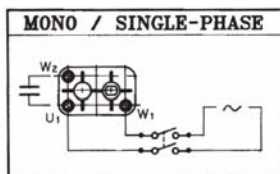
Bij het gebruik van schroeffittingen moeten deze niet door een dichtingmassa worden afgedicht. Schroefafsluitingen met een O-ring hoeven slechts handvast aangedraaid te worden.

De schroefdraadverbindingen van de inlaat en de uitlaat van de pomp zijn uitgerust met een draadstop. De aangesloten fitting kan niet voorbij dit punt geforceerd worden.

Draai de aansluitpunten NIET te strak aan. Handvast plus niet meer dan 2 draaien moet voldoende zijn.

De installatie van de leidingen moeten beginnen bij de pomp (indien mogelijk) om spanning op de pompbehuizing te voorkomen. Luchtzakken kunnen vermeden worden door de zuigleiding een beetje schuin naar de pomp toe te installeren. Aan de zuigmond moet een rechte leiding van tenminste 50 cm in lengte geïnstalleerd worden.

5.5 Elektrisch Aansluitingen



Dit moet worden uitgevoerd door een bevoegde elektromonteur. Het elektrische systeem moet worden voorzien van een separator die d.m.v. een opening voor iedere pool van tenminste 3 mm de stroomtoevoer afsluit. De fabrikant is niet aansprakelijk voor schade aan de motor die vermeden kan worden door de installatie van een externe beschermingsschakelaar. Gebruik de elektrische gegevens van de naamplaat op de motor voor het uitbreiden van het elektrische systeem. Anders vervallen in het geval van schade aan de motor en/of pomp alle garantieclaims.



Het product moet geaard worden.

5.5 Aansluiting aan het elektrische net



Gevaar

Het is de verantwoordelijkheid van de installateur om te controleren dat het voedende net van een deugdelijk aardsysteem is voorzien dat aan de geldende voorschriften voldoet.



Gevaar

Men moet controleren dat het voedende net van een differentieel beveiliging is voorzien. Deze moet zeer gevoelig zijn $I_{\Delta n} = 30 \text{ mA}$, (EN 61008 – 1 / 61009 - 1).



Gevaar

Men moet controleren dat de machine van het voedende net is gescheiden voordat men (bij het uitvoeren van onderhoud) het kapje van het klemmenblok afhaalt

Men moet de machine op de volgende manier op het voedende net aansluiten:

- Controleer dat de motor geschikt is voor de netspanning.
- Scheid de machine van het net door middel van de scheidende schakelaar.
- Gebruik kabels die goedgekeurd zijn volgens de geldende normen, met drie geleiders (2+aarding) met een doorsnede van minstens $0,75 \text{ mm}^2$ bij een maximale kabellengte van 2 mtr. Als de kabel langer is moet de doorsnede van de geleiders vergroot worden op een geschikte wijze die overeenstemt met de geldende normen.
- Als leider van de aansluiting moet men gebruiken:
 - buiten → snoer H07RN-F.
 - binnen de ruimten → snoer H05RN-F of H07RN-F.
- Bij een omgevingstemperatuur van 40°C tot 50°C moeten er voedingskables gebruikt worden met temperatuurgegevens van niet lager dan 95°C en met een minimum doorsnede van de geleiders van $1,5 \text{ mm}^2$
- Draai de schroeven op het klemmenblokkapje eruit.
- Steek het voedingssnoer in de trekontlasting.
- Sluit de fasen en de aarddraad aan op het klemmenblok.
- Monteer het kapje weer, met de afdichting.
- Draai de schroeven hiervan weer vast.
- De elektrische éénfasepompen zijn uit gerust met een thermische ampèremeterbeveiliging met ingebouwde automatische reset.

In geval van interventie door deze veiligheidsvoorziening als gevolg van oververhitting, moet de stroomtoevoer verbroken worden en de motor afkoelen tot deze een acceptabele temperatuur bereikt. Achterhaal de oorzaak van de oververhitting van de motor alvorens de pomp opnieuw te gebruiken.

6. Bediening

6.1 Voordat de pomp gestart wordt

Zorg dat de pomp nooit droog komt te staan (zonder water) Dit leidt tot beschadiging van de aasafdichting en de interne plastic componenten.

6.2 Opstarten van de pomp

Wanneer de pomp beneden het waterniveau staat of lineair geschakeld is met de hoofdpomp, start hij zodra de afsluitkleppen in de inlaat worden geopend.

Bij toepassingen boven het waterniveau moet de pomp gevoed worden door de zuigleiding en het pompgat te vullen met water.

De pomp wordt opgestart door hem aan te schakelen. De zuigtijd is afhankelijk van de zuighoogte en de lengte van de aanzuiglijn.

Als de pomp niet werkt, controleer dan of alle afsluitkleppen open staan en of er geen lek is in de aanzuiglijn, waardoor het water vermengd wordt met lucht, wat de werking tegenhoudt.

7. Foutopsporing

Pomp kan niet gevuld worden:

Onvoldoende water in de pompbehuizing

Hoofdpomp levert geen water

Inlaatklep gesloten

Luchttek in de aanzuiglijn

Motor werkt niet:

Power staat uit

Circuitonderbreker is doorgeslagen

De pomp is uitgeschakeld door een tijdschakelaar

De motor is niet goed aangesloten

Aandrijver is geblokkeerd door vuil

Geringe doorstroming - Hoge filterdruk:

Filter is vies

Verstopping in retourleiding

Geringe doorstroming - Lage filterdruk:

Inlaat afvoer is geblokkeerd

Aandrijver is geblokkeerd door vuil

Luchttek in de aanzuiglijn

De motorrotatie is niet goed

Pomp maakt lawaai:

Luchttek in de aanzuiglijn

Vuil in de afvoerlijn of de behuizing van de pomp

Diameter van de aanzuiglijn is te klein

Pomp onjuist geïnstalleerd

Cavitatie (te weinig water)

Motor wordt heet:

Te weinig ventilatie voor de motor

Te smalle bedrading

8. Onderhoud

Het is van het grootste belang dat de pompen regelmatig onderhouden, gereinigd en geïnspecteerd worden. Dit voorkomt problemen en verhoogt de werkveiligheid en betrouwbaarheid.

8.1 Onderhoud

Het onderhoud aan het product mag alleen uitgevoerd worden door gekwalificeerd personeel.

Het is raadzaam om, voordat de pomp weer wordt opgestart na een lange periode van inactiviteit (bv. in de lente), de motors d.m.v. de motorventilator te laten draaien met de pomp uitgeschakeld en met de pomp vol water. Gebruik hiervoor een schroevendraaier. Hierdoor wordt de aasafdichting geopend, waardoor de motor gemakkelijker te starten is.

8.2. Te vervangen onderdelen

Onderdelen moeten vervangen worden conform de door de fabrikant gespecificeerde technische vereisten Door originele onderdelen te gebruiken wordt dit altijd gegarandeerd. Wij bieden alleen garantie op originele reserveonderdelen die door ons geleverd worden. Wij accepteren geen aansprakelijkheid of garantie in het geval van schade veroorzaakt door het gebruik van ongeautoriseerde onderdelen of accessoires.

9 Verwijdering

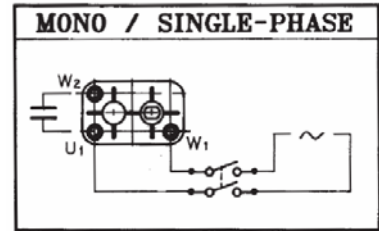
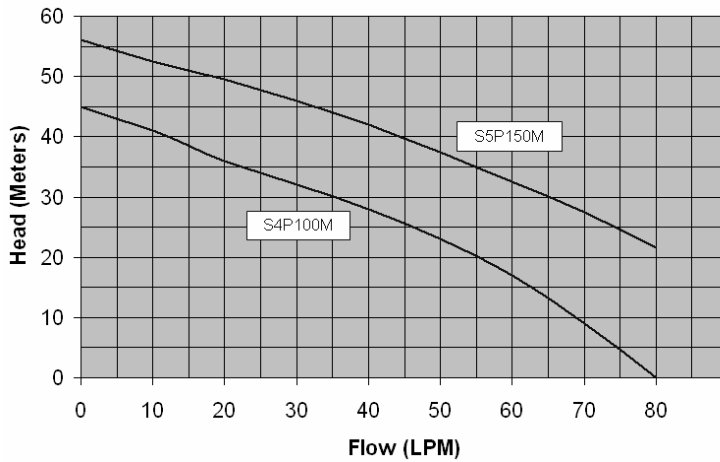


Zorg voor een veilige en milieuvriendelijke verwijdering van het product die voldoet aan de nationale regelgeving.

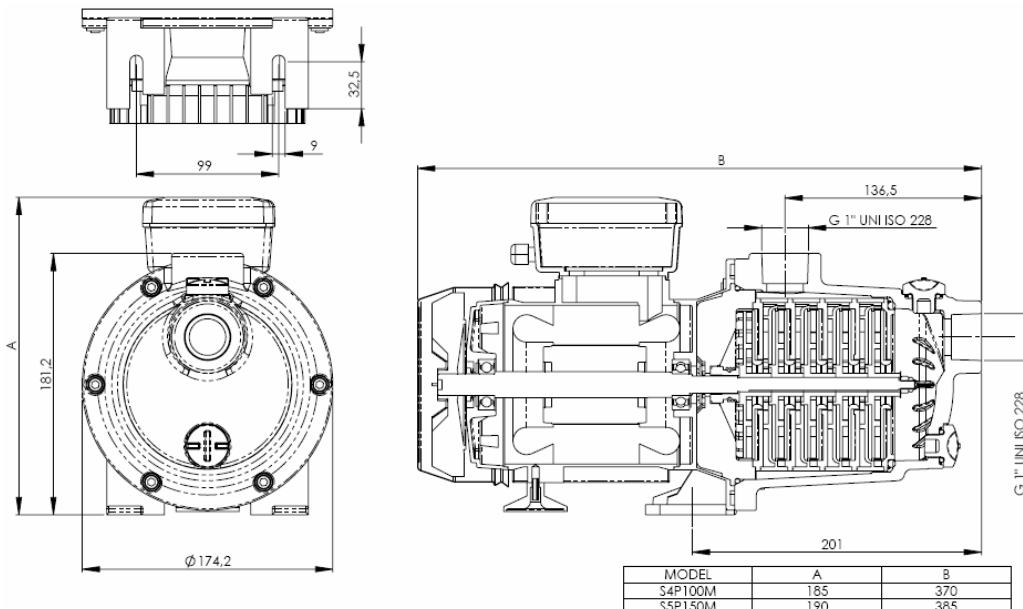


Only for EU countries
Do not dispose of electric tools together with household waste material
In observance of European Directive 2002/96/EC on waste electrical and electronic equipment and its implementation in accordance with national law, electric tools that have reached the end of their life must be collected separately and returned to an environmentally compatible recycling facility.

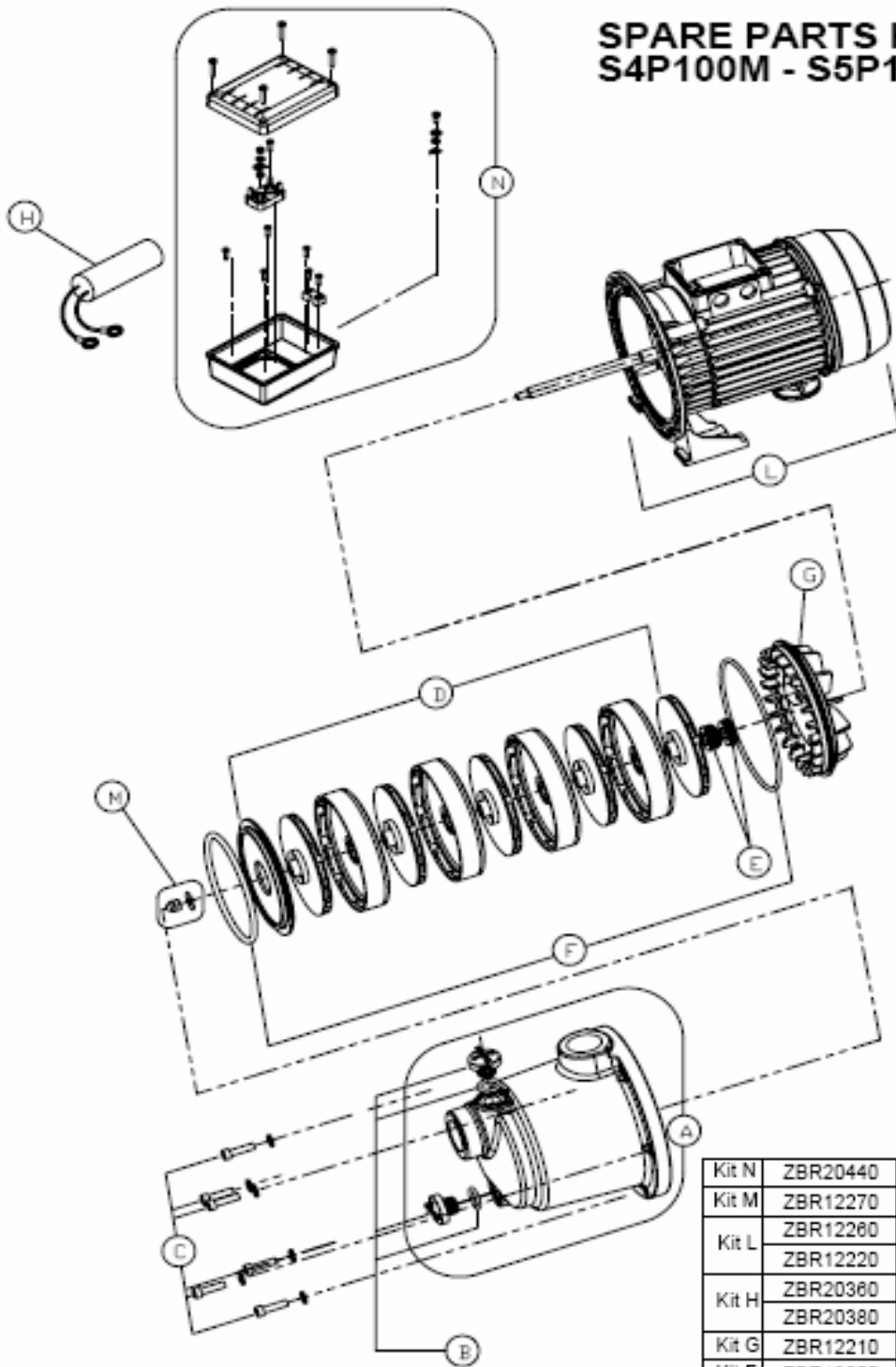
10. Technische gegevens



Max. omgevingstemperatuur.....	50C
Max. watertemperatuur.....	50C
Max. zoutgehalte van het water.....	0,4%
pH-gehalte.....	4-9
Max. werktemperatuur.....	6 Bar
Soort bescherming.....	IP44
Isolatieniveau.....	F
Omwentelingen per minuut.....	2850
Max. geluidsniveau.....	75dB(A)
Voltage(s).....	220-240V
Fase(s).....	Alleen mono
Schroefdraad inlaat/uitlaat.....	1" BSP



SPARE PARTS KITS S4P100M - S5P150M



Kit N	ZBR20440	Capacitor box complete
Kit M	ZBR12270	End shaft fasteners
Kit L	ZBR12260	Complete motor assembly S4P100M
	ZBR12220	Complete motor assembly S5P150M
Kit H	ZBR20360	Capacitor 12.5 μ F 450V -S4P100M-
	ZBR20380	Capacitor 20 μ F 450V -S5P150M-
Kit G	ZBR12210	Seal plate
Kit F	ZBR12200	O-ring kit
Kit E	ZBR12190	Mechanical seal
	ZBR12250	Hydraulic stack S4P100M
Kit D	ZBR12180	Hydraulic stack S5P150M
	ZBR12170	Fastener for pump body
Kit C	ZBR12170	Fastener for pump body
Kit B	ZBR12160	Plug with O-ring
Kit A	ZBR12150	Case with plug and O-ring included
Ref.	Part number	Description

STA-RITE®



a  **Pentair
Water** Company