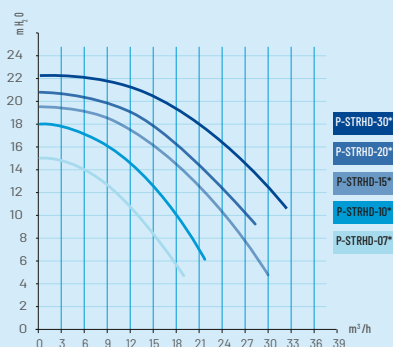


LA STA-RITE HD

SINGLE SPEED PUMPS

High efficiency and maximum performance pump for big pools or with overflow.



FEATURES

- XL pre filter basket
- Stainless steel locking clamp
- ¼ turn opening lid
- Quick self priming

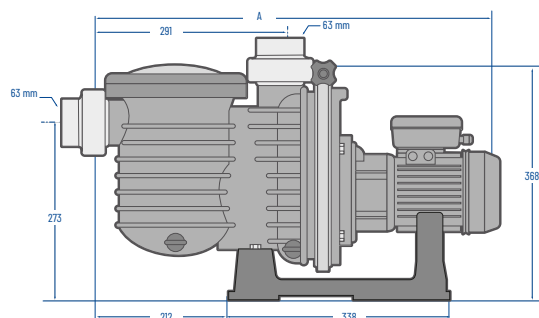
BENEFITS

- Longer periods between cleaning
- Quick maintenance
- Easy opening and locking
- Quick and safe start of the pump

TECHNICAL FEATURES

- 100% Made by Pentair in our Pisa, Italy plant
- Induction asynchronous motor
- Bi-material shaft with Stainless Steel AISI 304 drive-end
- SKF sealed bearings
- IP-X5
- Thermal protection (single phase), IE2 compliant (tri-phase <0.75kW), IE3 compliant (tri-phase >0.75kW)
- Sleeved impeller Manufactured with PPO Resin - Withstands the toughest water environments
- Inlet/Outlet → 63 mm threaded
- Ø Unions → 63 mm ID
- Unions included → Yes
- Salt resistancy → 0.40%

Part Number	Flow m ³ /h @ 8 m	Power output (kW)	(HP)	Volt (V)	Phase	Length (A)(mm)	Weight (Kg)
P-STRHD-071	16	0.55	0.75	220-240	Mono	615	17
P-STRHD-073	16	0.55	0.75	380-420	Tri	615	18
P-STRHD-101	21	0.75	1	220-240	Mono	615	18.5
P-STRHD-103E3	21	0.75	1	380-420	Tri	615	26
P-STRHD-151	26	1.1	1.5	220-240	Mono	645	19
P-STRHD-153E3	26	1.1	1.5	380-420	Tri	645	29
P-STRHD-201	29	1.5	2	220-240	Mono	645	25
P-STRHD-203E3	29	1.5	2	380-420	Tri	645	33
P-STRHD-301	33	2.2	3	220-240	Mono	667	26
P-STRHD-303E3	33	2.2	3	380-420	Tri	667	36



Packaging	Length (mm)	Width (mm)	Height (mm)	Pce/Palet
Box	79	37	43	-
Palet	120	80	150	9